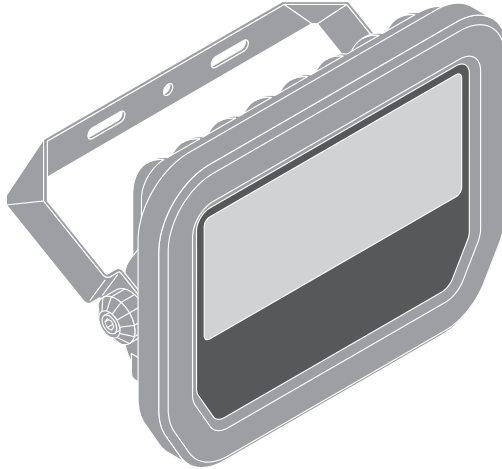


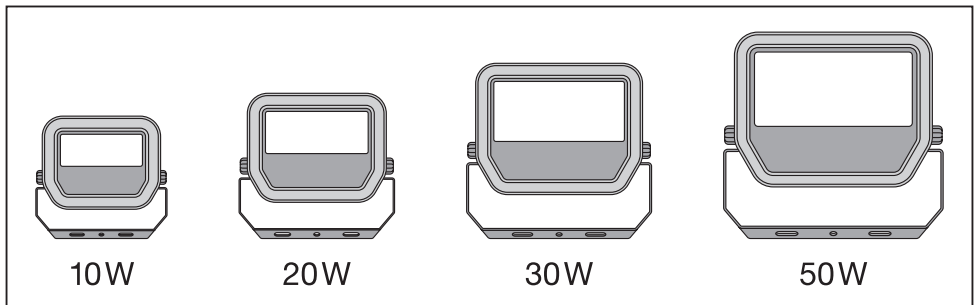
# FLOODLIGHT

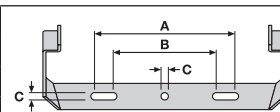
## 10W – 50W

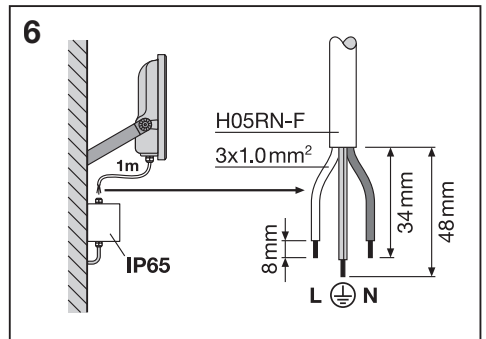
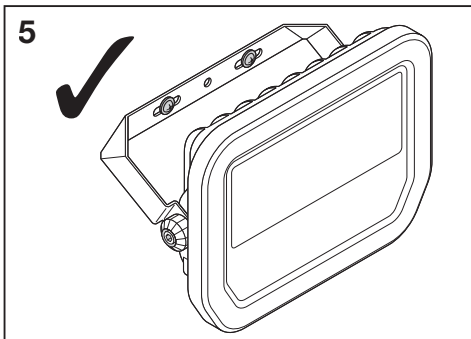
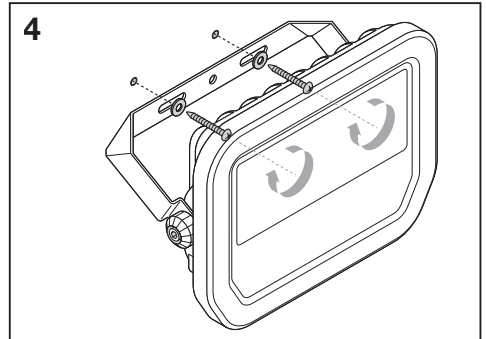
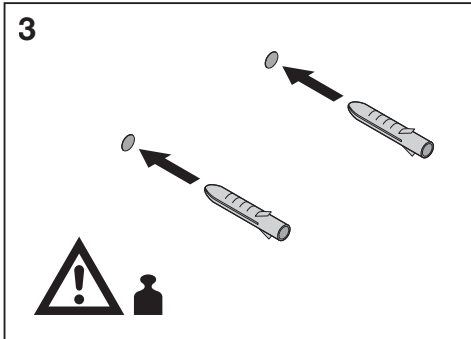
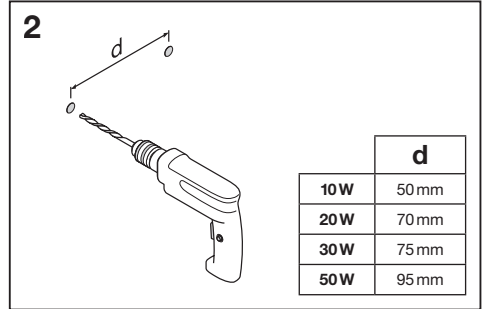
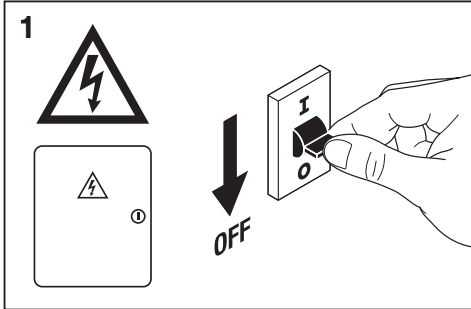
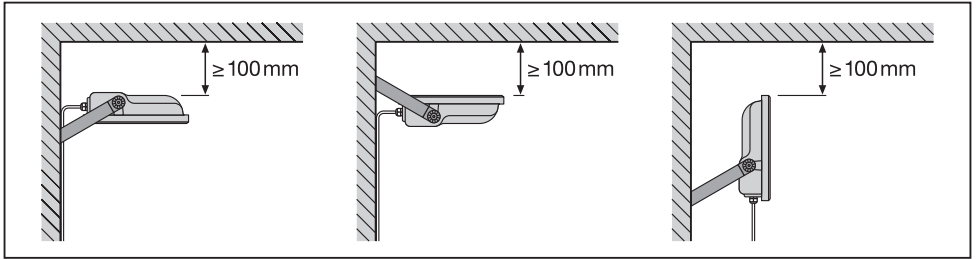


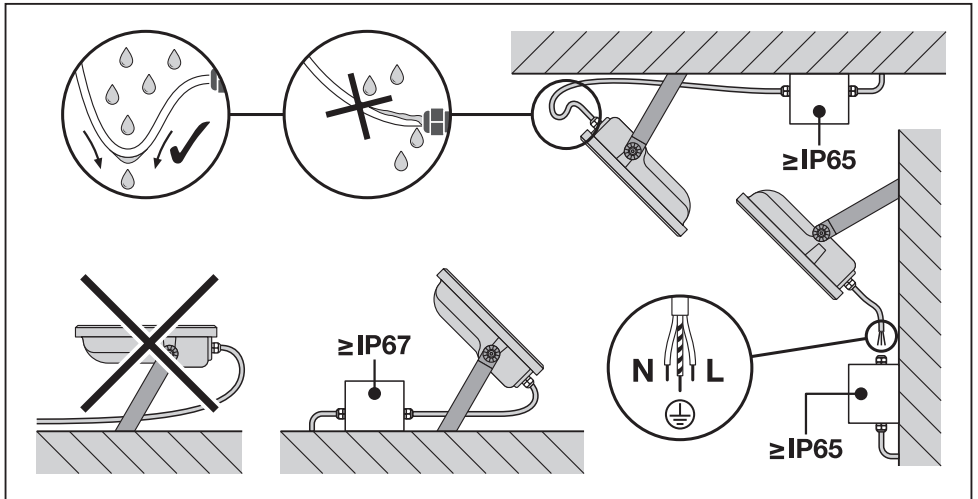
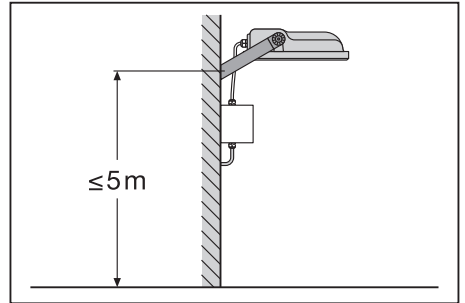
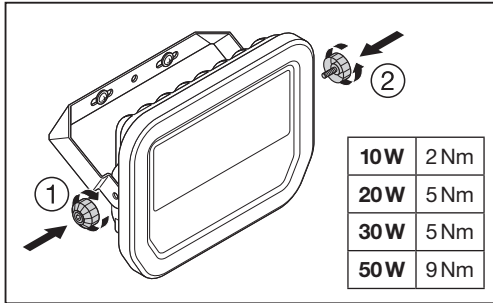
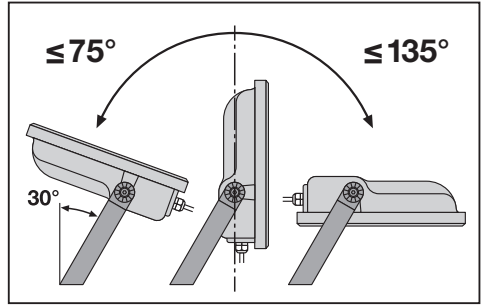
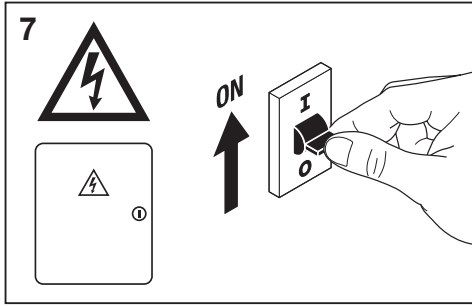
	EAN	l x w x h [mm]	W	V <sub>AC</sub>	Hz	lm	lm/W	K
FL PFM 10W/3000K SYM 100 BK	4058075420847	122 x 131 x 36	10	100-277 V	50/60 Hz	1100	110	3000
FL PFM 10W/3000K SYM 100 WT	4058075420861	122 x 131 x 36	10	100-277 V	50/60 Hz	1100	110	3000
FL PFM 10W/4000K SYM 100 BK	4058075420885	122 x 131 x 36	10	100-277 V	50/60 Hz	1200	120	4000
FL PFM 10W/4000K SYM 100 WT	4058075420908	122 x 131 x 36	10	100-277 V	50/60 Hz	1200	120	4000
FL PFM 10W/6500K SYM 100 BK	4058075420922	122 x 131 x 36	10	100-277 V	50/60 Hz	1200	120	6500
FL PFM 10W/6500K SYM 100 WT	4058075420946	122 x 131 x 36	10	100-277 V	50/60 Hz	1200	120	6500
FL PFM 20W/3000K SYM 100 BK	4058075420960	144 x 156 x 42	20	100-277 V	50/60 Hz	2200	110	3000
FL PFM 20W/3000K SYM 100 WT	4058075420991	144 x 156 x 42	20	100-277 V	50/60 Hz	2200	110	3000
FL PFM 20W/4000K SYM 100 BK	4058075421011	144 x 156 x 42	20	100-277 V	50/60 Hz	2400	120	4000
FL PFM 20W/4000K SYM 100 WT	4058075421035	144 x 156 x 42	20	100-277 V	50/60 Hz	2400	120	4000
FL PFM 20W/6500K SYM 100 BK	4058075421059	144 x 156 x 42	20	100-277 V	50/60 Hz	2400	120	6500
FL PFM 20W/6500K SYM 100 WT	4058075421073	144 x 156 x 42	20	100-277 V	50/60 Hz	2400	120	6500
FL PFM 30W/3000K SYM 100 BK	4058075421097	177 x 186 x 42	30	100-277 V	50/60 Hz	3300	110	3000
FL PFM 30W/3000K SYM 100 WT	4058075421110	177 x 186 x 42	30	100-277 V	50/60 Hz	3300	110	3000
FL PFM 30W/4000K SYM 100 BK	4058075421134	177 x 186 x 42	30	100-277 V	50/60 Hz	3600	120	4000
FL PFM 30W/4000K SYM 100 WT	4058075421165	177 x 186 x 42	30	100-277 V	50/60 Hz	3600	120	4000
FL PFM 30W/6500K SYM 100 BK	4058075421189	177 x 186 x 42	30	100-277 V	50/60 Hz	3600	120	6500
FL PFM 30W/6500K SYM 100 WT	4058075421202	177 x 186 x 42	30	100-277 V	50/60 Hz	3600	120	6500
FL PFM 50W/3000K SYM 100 BK	4058075421226	206 x 218 x 46	50	100-277 V	50/60 Hz	5500	110	3000
FL PFM 50W/3000K SYM 100 WT	4058075421240	206 x 218 x 46	50	100-277 V	50/60 Hz	5500	110	3000
FL PFM 50W/4000K SYM 100 BK	4058075421264	206 x 218 x 46	50	100-277 V	50/60 Hz	6000	120	4000
FL PFM 50W/4000K SYM 100 WT	4058075421288	206 x 218 x 46	50	100-277 V	50/60 Hz	6000	120	4000
FL PFM 50W/6500K SYM 100 BK	4058075421301	206 x 218 x 46	50	100-277 V	50/60 Hz	6000	120	6500
FL PFM 50W/6500K SYM 100 WT	4058075421325	206 x 218 x 46	50	100-277 V	50/60 Hz	6000	120	6500

	EAN	IP	IK	∇	R <sub>a</sub>	°(°C)	PF	👤
FL PFM 10W/3000K SYM 100 BK	4058075420847	65	07	100°	≥ 80	-30...+50	> 0.9	0.4 kg
FL PFM 10W/3000K SYM 100 WT	4058075420861	65	07	100°	≥ 80	-30...+50	> 0.9	0.4 kg
FL PFM 10W/4000K SYM 100 BK	4058075420885	65	07	100°	≥ 80	-30...+50	> 0.9	0.4 kg
FL PFM 10W/4000K SYM 100 WT	4058075420908	65	07	100°	≥ 80	-30...+50	> 0.9	0.4 kg
FL PFM 10W/6500K SYM 100 BK	4058075420922	65	07	100°	≥ 80	-30...+50	> 0.9	0.4 kg
FL PFM 10W/6500K SYM 100 WT	4058075420946	65	07	100°	≥ 80	-30...+50	> 0.9	0.4 kg
FL PFM 20W/3000K SYM 100 BK	4058075420960	65	07	100°	≥ 80	-30...+50	> 0.9	0.5 kg
FL PFM 20W/3000K SYM 100 WT	4058075420991	65	07	100°	≥ 80	-30...+50	> 0.9	0.5 kg
FL PFM 20W/4000K SYM 100 BK	4058075421011	65	07	100°	≥ 80	-30...+50	> 0.9	0.5 kg
FL PFM 20W/4000K SYM 100 WT	4058075421035	65	07	100°	≥ 80	-30...+50	> 0.9	0.5 kg
FL PFM 20W/6500K SYM 100 BK	4058075421059	65	07	100°	≥ 80	-30...+50	> 0.9	0.5 kg
FL PFM 20W/6500K SYM 100 WT	4058075421073	65	07	100°	≥ 80	-30...+50	> 0.9	0.5 kg
FL PFM 30W/3000K SYM 100 BK	4058075421097	65	07	100°	≥ 80	-30...+50	> 0.9	0.7 kg
FL PFM 30W/3000K SYM 100 WT	4058075421110	65	07	100°	≥ 80	-30...+50	> 0.9	0.7 kg
FL PFM 30W/4000K SYM 100 BK	4058075421134	65	07	100°	≥ 80	-30...+50	> 0.9	0.7 kg
FL PFM 30W/4000K SYM 100 WT	4058075421165	65	07	100°	≥ 80	-30...+50	> 0.9	0.7 kg
FL PFM 30W/6500K SYM 100 BK	4058075421189	65	07	100°	≥ 80	-30...+50	> 0.9	0.7 kg
FL PFM 30W/6500K SYM 100 WT	4058075421202	65	07	100°	≥ 80	-30...+50	> 0.9	0.7 kg
FL PFM 50W/3000K SYM 100 BK	4058075421226	65	07	100°	≥ 80	-30...+50	> 0.9	1.0 kg
FL PFM 50W/3000K SYM 100 WT	4058075421240	65	07	100°	≥ 80	-30...+50	> 0.9	1.0 kg
FL PFM 50W/4000K SYM 100 BK	4058075421264	65	07	100°	≥ 80	-30...+50	> 0.9	1.0 kg
FL PFM 50W/4000K SYM 100 WT	4058075421288	65	07	100°	≥ 80	-30...+50	> 0.9	1.0 kg
FL PFM 50W/6500K SYM 100 BK	4058075421301	65	07	100°	≥ 80	-30...+50	> 0.9	1.0 kg
FL PFM 50W/6500K SYM 100 WT	4058075421325	65	07	100°	≥ 80	-30...+50	> 0.9	1.0 kg



					230 Vac				
		A	B	C	🔩	☹️ m²	C10A	B16A	C16A
10W		38	58	5.5	2x M5	0.011 m²	142	195	228
20W		58	78	6.5	2x M6	0.015 m²	67	93	108
30W		58	88	6.5	2x M6	0.023 m²	46	64	74
50W		78	108	8.5	2x M8	0.031 m²	28	38	44





CE EAC

RoHS



C10449057  
G11089152  
09.01.20



LEDVANCE GmbH  
Steinerne Furt 62  
86167 Augsburg, Germany  
[www.ledvance.com](http://www.ledvance.com)