

Motion detector top unit 1.10 m Komfort BT

Order no.: 5374 ..

Motion detector top unit 2.20 m Komfort BT

Order no.: 5376 ..

Operating instructions

1 Safety instructions

Electrical devices may only be mounted and connected by electrically skilled persons.

Serious injuries, fire or property damage possible. Please read and follow manual fully.

Danger of electric shock. Always disconnect before carrying out work on the device or load. In so doing, take all the circuit breakers into account, which support dangerous voltages to the device and or load.

Danger of electric shock. Device is not suitable for disconnection from supply voltage. The load is not electrically isolated from the mains even when the device is switched off.

Do not press on the sensor window. Device can be damaged.

The device is not suitable for use as a burglar alarm or other alarm.

This manual is an integral part of the product, and must remain with the end customer.

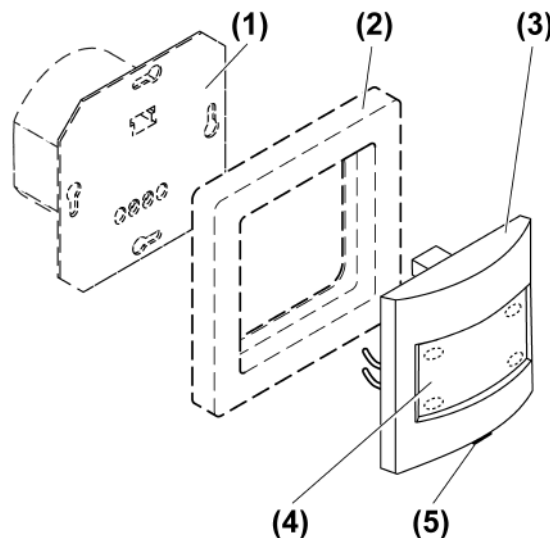
2 Device components

Figure 1: Motion detector cover 1.10 m

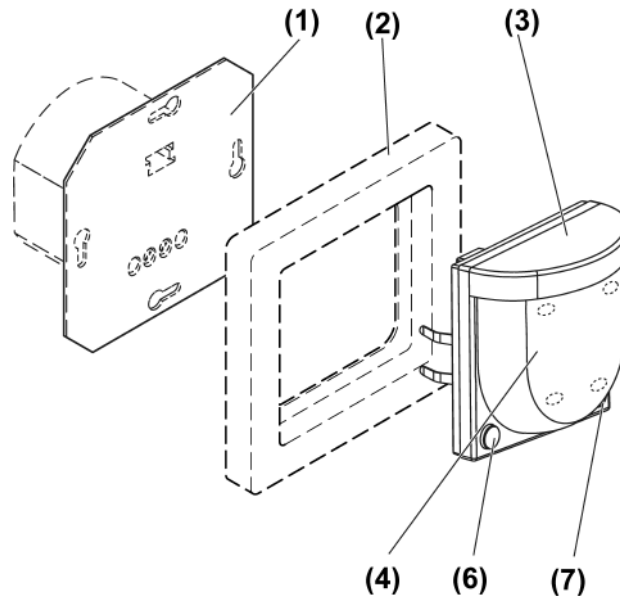


Figure 2: Motion detector cover 2.20 m

- (1) FM insert
- (2) Cover frame
- (3) Motion detector cover
- (4) Sensor window and status LED
- (5) Push-button **OFF/AUTO ON/AUTO**
- (6) Button **OFF/AUTO**
- (7) Button **ON/AUTO**

Status LED

Red LED lights up	Self-test
Red LED flashes 3 s on / 3 s off	Alarm function active
Red LED flashes 0.5 s on / 0.5 s off	Alarm was triggered
Red LED flashes three times followed by a 1 s pause	Cover was previously connected to another insert
Yellow LED lights up	"Continuous off" or "Timer off" function active
Yellow LED flashes	Presence simulation active
Green LED lights up	"Continuous on" or "Timer on" function active
Blue LED lights up	Device is coupled with a mobile end device and active app
Blue LED flashes 0.5 s on / 0.5 s off	Bluetooth coupling mode active
Blue LED flashes quickly	Device update is being performed

3 Intended use

- Automatic switching of lighting depending on the heat motion and ambient brightness
- Operation with flush-mounted insert for dimming or switching or 3-wire extension
- Wall installation on flush-mounted insert
- Operation and programming with mobile end device (smartphone or tablet) via Bluetooth with app

Automatic operation

The device detects heat motions of people, animals and objects.

- The light is switched on if a person enters the detection field and the brightness threshold is below the set brightness threshold.
- The run-on time restarts with each detected motion.
- The light is switched off if:
 - no more movement is detected in the detection field and the run-on time has elapsed or
 - the ambient light is too bright and the run-on time has elapsed.

To avoid any switch-on caused by a cooling lamp, no movement signals are evaluated for a brief lockout time after switching off. The motion detector adjusts itself to the ambient conditions to keep the time as short as possible.

Behaviour after a mains voltage failure

After mains voltage return, the device performs a self-test for a maximum of 20 seconds. After the self-test has been completed, the device is ready for operation.

- i** If the red status LED flashes three times at repeated intervals, the cover was previously connected to another insert. To enable the function again, either place the cover onto the respective insert or press the button (5) for more than 4 seconds to the OFF position for motion detector cover 1.10 m, or the OFF button (4) for more than 4 seconds for motion detector cover 2.20 m.

The following applies during the self-test:

- The red status LED is illuminated.
- The load is switched off.
- Movements are not detected.
- The device can be operated via extensions.

4 Product characteristics

Functions directly on the cover

- Extension of the detection field in combination with 3-wire extension
- Continuous on, Continuous off
- Operation with 2-wire or 3-wire extension, rotary extension or push-button, Bluetooth wall transmitter or push-button
- Resetting to factory setting

Motion detector cover 1.10 m

- Cover panel for limiting the detection field

Functions via app

- Setting the brightness threshold
- Adjusting the sensitivity of the PIR sensors
- Setting the run-on time
- Continuous on, Continuous off
- On or off for 0.5 - 5 hours
- Switch-off warning
- Dynamic run-on time
- Presence simulation
- Alarm function
- Call function enables a person to attract attention if required
- Time switch function enables functions to be switched on or off automatically
- Operating lock
- Reduced basic sensitivity
- Automatic summer/winter time changeover
- Test operation

In combination with a switch insert

- Short time operation

In combination with a dimming insert / DALI Power control unit

- Switching on with the last set brightness / colour temperature or saved switch-on brightness/colour temperature
- Adjusting the minimum brightness
- Adjusting the maximum brightness
- Basic light function
- Night light function
- Setting the minimum colour temperature
- Setting the maximum colour temperature
- Setting the switch-on colour temperature

i Colour temperature only in combination with a DALI Power control unit

5 Commissioning

Install app on a mobile end device

Requirement for operation via app is a mobile end device with Bluetooth interface, running the Android operating system or iOS.

- Download and install the Gira System 3000 app from the iTunes App Store (iOS) or the Google Play Store (Android).

Couple mobile end device via Bluetooth

Precondition: insert and cover must be ready for operation. The mobile end device is located close to the cover.

- Activate coupling mode for motion detector cover 1.10 m: Push button (5) to the **ON/AUTO** position for more than 4 seconds.
- Activate coupling mode for motion detector cover 2.20 m: Press the **ON/AUTO** button (7) for more than 4 seconds.

The blue LED flashes. The coupling mode is active for 1 minute.

- Start the Gira **System 3000 app** and search for the device to be coupled. Cover is coupled with the end device and shown in the app.

The coupling mode is automatically exited after successful coupling. The blue LED lights up to confirm an active connection.

i A maximum of 8 mobile end devices can be coupled with a cover. When coupling the 9th device, the oldest device will be deleted.

6 Operation

The app is used for the configuration and operation of the device. Some basic functions can also be operated on the cover or via connected extensions.

Operation on the cover

With the push-button or the two buttons you can switch between automatic operation, continuous on and continuous off.

- Motion detector cover 1.10 m: Move the push-button (5) briefly to position **ON** or **OFF**.
- Motion detector cover 2.20 m: Press the button **ON** (7) or **OFF** (6). Continuous on function green LED is illuminated or continuous off function yellow LED is illuminated.

i In order to switch on automatic operation again, repeat the action above. Green or yellow LED goes out.

Operation using 2-wire or 3-wire extension with push-button cover, Bluetooth wall transmitter or push-button

Multiple extensions can be combined with each other. All operations described here are also possible via the app. Operation with the rotary extension is described in the rotary extension instructions.

Switching on light for the duration of the run-on time

- Press briefly.
- i** Pressing again briefly in the switched-on state restarts the run-on time. In combination with a dimming insert or DALI Power control unit, the brightness switches back to the switch-on brightness.
- i** Short-time operation: When pressed, pulses are generated approx. every 3 seconds for 1 minute. Exception for 3-wire extension: only one pulse is generated.

Adjusting the brightness

- Press longer.
- i** In the case of a push-button, the dimming direction is changed with each new long actuation.

Setting the colour temperature

- i** Only with 2-wire extension, Bluetooth wall transmitter and push-button.
- i** Only with DALI Power control unit.
- In the switched-on state, press twice within 0.4 seconds (double-click). The light switches off and on again.
The device switches to "Setting the colour temperature" mode.
- Long press to set the colour temperature.
- i** In the case of a push-button, the setting direction is changed with each new long actuation.
- i** After a further double click, the device switches back to normal operation. This is signalled by switching off briefly and back on again. The device also switches to normal operation after 1 minute without operation.

Saving the switch-on brightness / colour temperature

- i** Only with 2-wire extension.
- i** Colour temperature only with a DALI Power control unit.
- Adjust the brightness.
- Set the colour temperature.
- Press the push-button cover over entire surface for longer than 4 seconds.
Switch-on brightness and colour temperature are saved. The switch-on behaviour changes to "Switch on with the saved brightness and colour temperature".

Deleting the switch-on brightness / colour temperature

- i** Only with 2-wire extension.
- i** Colour temperature only with a DALI Power control unit.
- Press briefly: Light switches on with the saved switch-on brightness and colour temperature.
- Without changing the brightness, press push-button cover over entire surface for longer than 4 seconds. .
Switch-on brightness and colour temperature are deleted. The switch-on behaviour changes to "Switch on with the most recently set brightness and colour temperature".

Call function

The function enables a person to attract attention if required. A call can be triggered via a 2-wire extension, Bluetooth wall transmitter or push-button.

Precondition: The call function has been activated via the app.

- Press the button of the extension.

Light flashes (1 second on, 1 second off) until the call is acknowledged by actuating the device.

7 Information for electrically skilled persons



DANGER!

Mortal danger of electric shock.

Disconnect the device. Cover up live parts.

Motion detection

The detection of heat sources through a motion detector and thus the extent of the detection field is influenced by the following criteria:

Geometry of the detection field, assembly height and set sensitivity (Figure 3) up to (Figure 10)

Direction of movement : Passing the motion detector tangentially results in a heat signal which can be evaluated well. If movement is radial to the sensor, the heat signal is smaller and thus harder to evaluate, resulting in a smaller range.

- i** The following specifications on the extent of the detection field are general guide values. Discrepancies can occur depending on the installation environment and the intensity of the heat motion.

Motion detector cover 1.10 m detection field and range

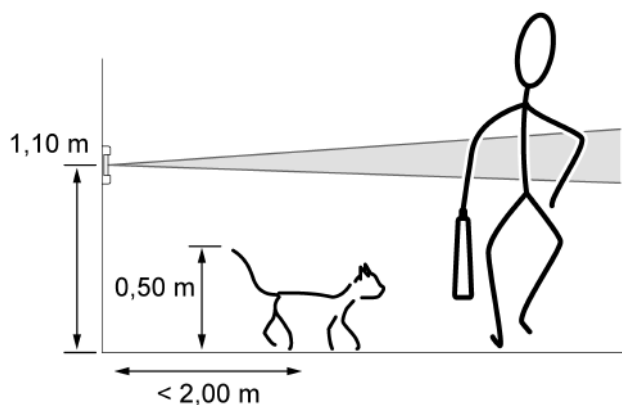


Figure 3: Motion detector cover 1.10 m detection field and installation height

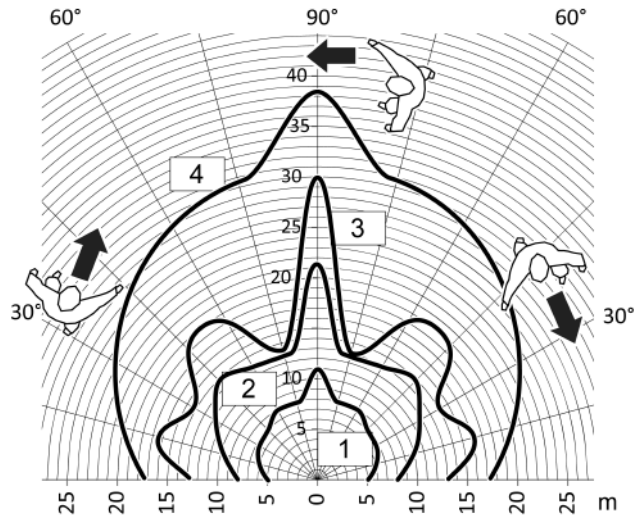


Figure 4: Range with tangential direction of motion for motion detector cover 1.10 m

- 1 25% sensitivity
- 2 50% sensitivity
- 3 75% sensitivity
- 4 100% sensitivity

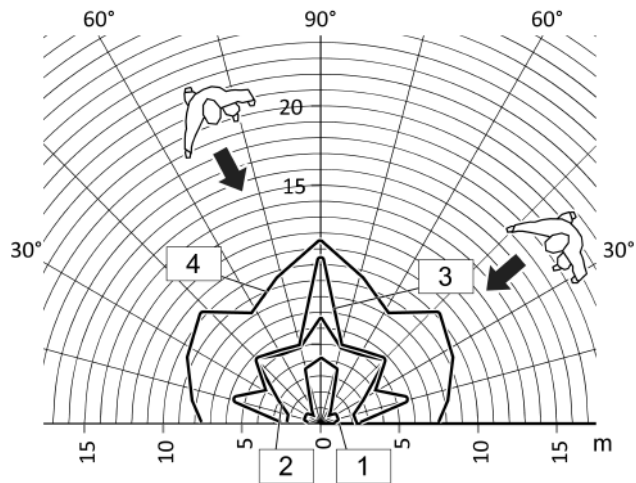


Figure 5: Range with radial direction of motion for motion detector cover 1.10 m

- 1 25% sensitivity
- 2 50% sensitivity
- 3 75% sensitivity
- 4 100% sensitivity

Motion detector cover 2.20 m detection field and range

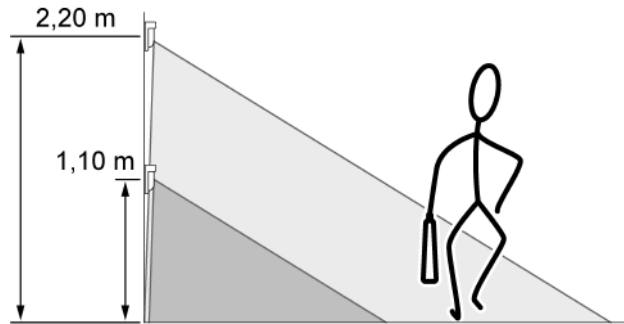


Figure 6: Motion detector cover 2.20 m detection field and installation height

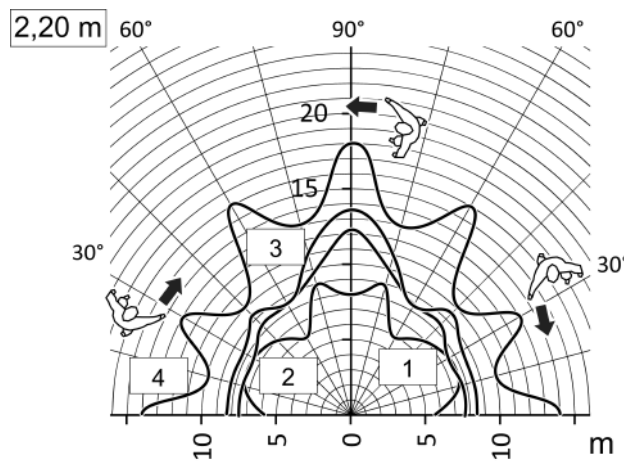


Figure 7: Range with tangential direction of motion for motion detector cover 2.20 m, mounting height 2.20 m

- 1 25% sensitivity
- 2 50% sensitivity
- 3 75% sensitivity
- 4 100% sensitivity

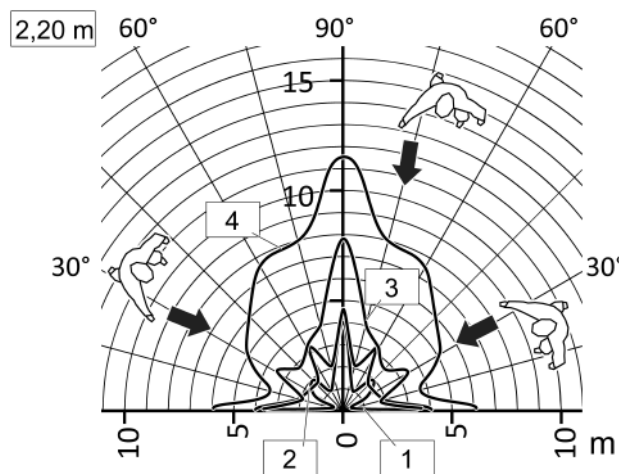


Figure 8: Range with radial direction of motion for motion detector cover 2.20 m, mounting height 2.20 m

- 1 25% sensitivity
- 2 50% sensitivity

- 3 75% sensitivity
- 4 100% sensitivity

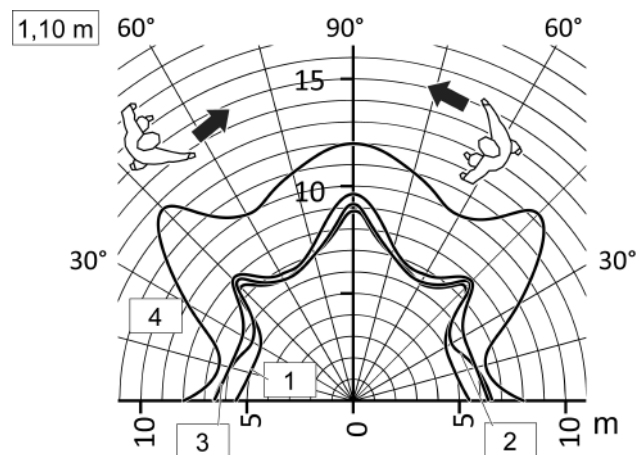


Figure 9: Range with tangential direction of motion for motion detector cover 2.20 m, mounting height 1.10 m

- 1 25% sensitivity
- 2 50% sensitivity
- 3 75% sensitivity
- 4 100% sensitivity

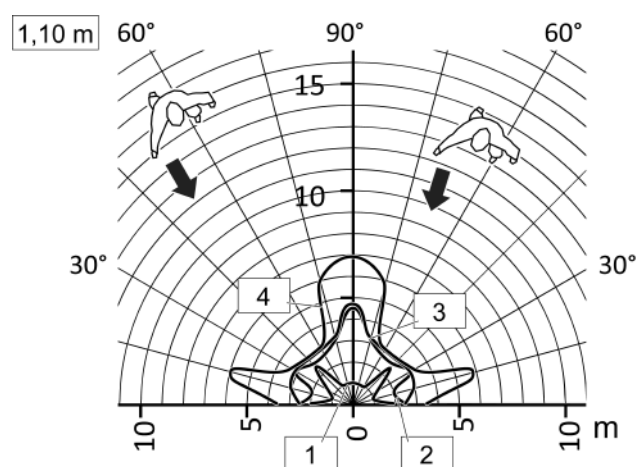


Figure 10: Range with radial direction of motion for motion detector cover 2.20 m, mounting height 1.10 m

- 1 25% sensitivity
- 2 50% sensitivity
- 3 75% sensitivity
- 4 100% sensitivity

Selecting installation location

- Select a vibration-free installation location. Vibrations can lead to unwanted switching.
- To achieve optimum range, choose an installation location that is tangential to the direction of motion.
- Avoid heat sources in the detection field such as heating units, outlets of ventilation systems or air conditioners, copiers, printers, coffee machines, draughty doorways, animals etc.

Mounting the cover

- Connecting and mounting the FM insert properly (see flush-mounted insert instructions).
- Fit the cover with frame on the flush-mounted insert.

Expanding the detection field

To expand the detection field, connect a 3-wire extension with presence or motion detector cover. The main device also evaluates signals of the extension and, if necessary, switches the lighting on.

Limiting the detection field

The detection field can also be limited by reducing the sensitivity or switching off a sensor.

Alternatively, the detection field for motion detector cover 1.10 m can be limited with cover panel (Figure 11) and (Figure 12).

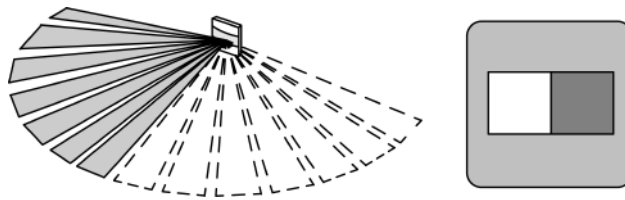


Figure 11: Limiting detection field for motion detector cover 1.10 m

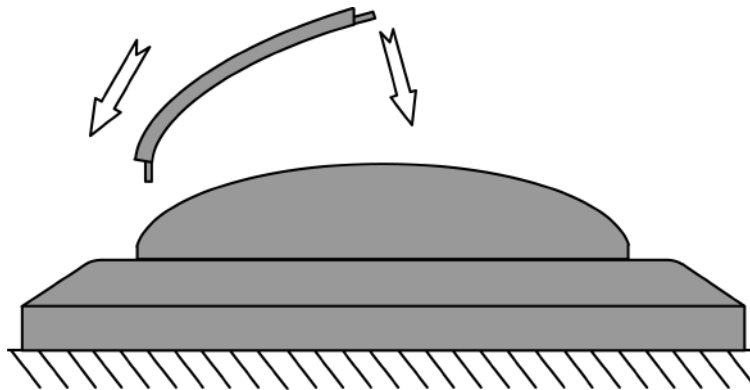


Figure 12: Mounting cover panel 90°

Configuring device settings

Settings are configured via the app

Default settings

Function	Setting
Operating function	Automatic operation
Sensitivity	100%
Detection angle	180°
Brightness threshold	10 lux
Run-on time	2 minutes
Supplementary function	switched-off

Checking detection field

Any motions detected are displayed in the app and by the red LED. The lighting is switched on for approx. 1 second. If the light is not switched by motion, the Continuous on or Continuous off functions can also be activated.

- i** 3-wire extension: detected motions are sent to the main device. This switches according to its settings.
- Activate the walking test via the app and pace off the detection field. The function is automatically terminated after approx 5 minutes.

Restoring the device to factory settings

- i** After resetting the device to the default setting, it has to be removed from the app. On iOS equipment, the device also has to be removed from the list of paired Bluetooth devices (Settings/Bluetooth). Otherwise, re-pairing will not be possible.

Motion detector cover 1.10 m

- Briefly disconnect the device from the mains voltage.
Red LED lights up, self-test runs.
- Within 1 minute after switching on the mains voltage, move the push-button (5) to position **OFF/AUTO** and hold for more than 20 seconds.
After approx. 20 seconds, the red LED flashes quickly.
- Within 10 seconds, release the button and move briefly to position **OFF/AUTO** once again.
The red LED flashes more slowly, device is reset to the factory settings and restarts.

Motion detector cover 2.20 m

- Briefly disconnect the device from the mains voltage.
Red LED lights up, self-test runs.
- Within 1 minute after switching on the mains voltage, press the **OFF** button (6) for more than 20 seconds.
After approx. 20 seconds, the red LED flashes quickly.
- Within 10 seconds, release the button and actuate it briefly once again.
The red LED flashes more slowly, device is reset to the factory settings and restarts.

8 Technical data

Ambient temperature	-20 ... +45 °C
Storage/transport temperature	-25 ... +70 °C
Degree of protection	
System 55, Gira E22, Flächenschalter (F100)	IP20
Gira TX_44	IP44
Brightness setting	approx. 5 ... 500 lx and day operation
Sensitivity	0, 25, 50, 75, 100%
Run-on time	approx. 10 s ... 60 min
Installation height	
Order no. 5374 .. 1.10 m / 2.20 m	1.10 m
Order no. 5376 .. 1.10 m	1.10 m / 2.20 m
Detection angle	180 °
Radio frequency	2.402 ... 2.480 GHz
Transmission capacity	max. 2.5 mW, Class 2
Transmitting range	typ. 10 m

9 Parameter list

Adjustable parameters via app

Depending on the insert, the following parameters can be changed with the app.

Settings for switch and dimming inserts

Parameters	Setting options, default setting	Explanation
EnOcean switch	MAC address Name Single rocker Left rocker Right rocker	The Bluetooth wall transmitter must be connected to the device in order to be able to operate it. Enter the MAC address of the Bluetooth wall transmitter here, select the device button to be used for operation and assign a name. Up to 8 Bluetooth wall transmitters can be connected to the device.
Operating mode	Automatic mode Timer OFF Timer ON Continuous OFF Continuous ON Default setting: automatic mode	Automatic: The load is switched depending on motion and brightness. Continuous OFF or ON: The load is permanently switched off or on. Timer OFF or ON: The load is switched off or on for the specified time. Afterwards, the device is in automatic mode again.
Setting timer OFF	0.5 - 5 hours Default setting: 2 h	Time for which the load remains switched off when the "Timer OFF" function is activated.
Setting timer ON	0.5 - 5 hours Default setting: 2 h	Time for which the load remains switched on when the "Timer ON" function is activated.
Run-on time	10 s ... 60 min Default setting: 2 min	The load remains switched on for this time, even if no more motion is detected or the ambient light is bright enough.
Dynamic self-learning run-on time	On, Off Default setting: Off	Dynamic self-learning run-on time On: The device automatically determines a run-on time within specified limits and dynamically from detected motion. In so doing, the run-on time is increased if presence continues or decreased if absence is detected. The maximum run-on time is the set run-on time. The shortest run-on time is 10 seconds. For run-on times from 5 minutes, the brief presence detection function is also active.
Brightness threshold	Motion detector: 5... 500 lx Default setting: 10 lx	The load is switched on if the brightness value falls below this value and if motion is detected.
Using the current brightness	The current brightness can be stored in a range of 5 to 500 lx.	Sets the brightness threshold parameter in the app to the current brightness.
Sensor sensitivity	0, 25, 50, 75, 100% Default setting: 100%	Individually adjust the sensitivity in 5 steps for the left and the right sensor. To restrict the detection field, switch off individual sensors. To do this, set the sensitivity to 0%.
Reduced basic sensitivity	On, Off Default setting: Off	Reduced basic sensitivity On: Reduced basic sensitivity for use in environments with interference sources.

Parameters	Setting options, default setting	Explanation
Presence simulation	On, Off Default setting: Off	The function can only be activated after more than 24 hours of time was saved. In automatic mode, the times at which the lighting was switched on are continuously saved. A maximum of 60 switching operations are saved over a period of 24 hours. If more switching operations take place, the oldest ones are overwritten respectively. If the presence simulation is activated, the lighting is switched on at the saved times depending on the brightness. Switch-off takes place after the run-on time has elapsed. Detected motions prolong the run-on time or the light is switched on depending on brightness. Times are not saved. The dynamic run-on time is not taken into account.
Activate day operation	On, Off Default setting: Off	In the setting day operation the device operates independently of the brightness.
Activate walking test	On, Off Default setting: Off	Function for checking the detection field. The function automatically terminates after 5 minutes.
Activate alarm operation	On, Off Default setting: Off	This function is used to monitor an area for unauthorised access during absence. If this is the case, the lighting flashes (1 second on, 1 second off) for the duration of the run-on time. When motions are detected, the run-on time is restarted.
Activate call function	On, Off Default setting: Off	The function enables a person to attract attention if required. If the function is activated, a call can be triggered via a 2-wire extension, Bluetooth wall transmitter or push-button. If a call has been triggered, the lighting flashes (1 second on, 1 second off) until the call is acknowledged by actuating the device. A triggered call overrides all functions of the device. The functions continue running in the background so that the device switches to the respective current state after acknowledgement.
Deactivate local operation	On, Off Default setting: Off	The device cannot be operated on location if the local operating lock is active. For use in public areas.
Time change	On, Off Default setting: On	Activates automatic summer/wintertime changeover.
Timers	16 switch points Default setting: none	With this function it is possible to automatically switch on functions such as night light / basic brightness or presence simulation for a defined period of time. A weekly timer is available for this purpose. The timer updates itself with every Bluetooth connection to a mobile

Parameters	Setting options, default setting	Explanation
		end device. One function can be switched on or off per switch point. A time and one or more weekdays are assigned to each switch point.

Settings only for switch inserts

Parameters	Setting options, default setting	Explanation
Activating the switch-off pre-warning	On, Off Default setting: Off	If the switch-off pre-warning is activated, the light is not switched off immediately after the run-on time has elapsed. Triple flashing at an interval of 10 seconds shows that the light will be switched off soon. The run-on time is thereby prolonged by approx. 30 seconds. If motion is detected during the switch-off pre-warning, then the run-on time is restarted and the light remains on.
Pulse operation	On, Off Default setting: Off	If motion occurs, then a short pulse of approx. 0.5 seconds is triggered depending on the brightness. The pulse is repeated approx. every 3 seconds as long as motions are detected.
Delay output 2 Only for 2-gang switch insert	Activating switch-on delay On, Off Switch-on delay 0 s ... 60 min Switch-off delay 0 s ... 60 min Default setting: Activating the switch-on delay ON, switch-on delay 2 minutes, switch-on delay 5 minutes	Activating the switch-on delay: Activating or deactivating the switch-on delay for output 2 Switch-on delay: Time to switch on output 2 with a delay when the switch-on delay is activated. Switch-off delay: Time to switch off output 2 with a delay.

Settings only for dimming inserts, DALI Power control unit

Parameters	Setting options, default setting	Explanation
Activating the switch-off pre-warning	On, Off Default setting: Off	If the switch-off pre-warning is activated, the light is not switched off immediately after the run-on time has elapsed. The light is first dimmed to minimum brightness within 30 seconds. The run-on time is thereby prolonged by approx. 30 seconds. If motion is detected during the switch-off pre-warning, then the run-on time is restarted and the light switches back to the switch-on brightness.
Switch-on brightness	5 ... 100% Default setting: 100%	The light is switched on to a stored brightness.

Parameters	Setting options, default setting	Explanation
Maximum dimming value	1 ... 100% Default setting: 100%	Specifies the maximum settable brightness.
Minimum dimming value	1 ... 67% Default setting: 100%	Specifies the minimum settable brightness.
Night light/basic brightness	Do not use function Use basic brightness Use night light Default setting: Do not use function	Basic brightness: If the function is activated, the light is switched to the switch-on brightness when motion is detected. After the run-on time has elapsed, the light is not dimmed off but is dimmed to a defined brightness value. Night light: When the function is activated, the light is not switched on to the switch-on brightness but to a defined brightness value when motion is detected.
Adjusting basic brightness	5 ... 100% Default setting: 20%	Determines the brightness of the basic brightness function.
Setting the night light	5 ... 100% Default setting: 20%	Determines the brightness of the night light function.
Colour temperature Only DALI Power control unit	Minimum colour temperature 2000 ... 4500 K Maximum colour temperature 5000 ... 10000 K Switch-on colour temperature 2000 ... 10000 K Factory setting: Minimum colour temperature 2000 K, maximum colour temperature 6000 K, switch-on colour temperature 2700 K	Minimum colour temperature: Defines the minimum colour temperature that can be set. Maximum colour temperature: Defines the maximum colour temperature that can be set. Switch-on colour temperature: The light is switched on with a saved colour temperature.

10 Troubleshooting

Motion detector does not switch on

Cause 1: The ambient brightness is greater than the adjusted brightness threshold.

Set the brightness threshold via app.

Cause 2: Motion detector does not detect any motions.

Check detection field for any obstacles.

Adjust the sensitivity of the sensors via app.

Motion detector switches on without motion

Cause: Motion detector detects heat motions.

Pay attention to interference sources such as heaters, fans, air-conditioners and cooling luminaires in the detection field.

Motion detector switches off despite motion

Cause: The ambient light is too bright and the switch-off threshold was exceeded.

Set the brightness threshold via app.

Motion detector does not switch off after the set run-on time has elapsed

Cause: Motion detector detects motions constantly.

Pay attention to interference sources such as heaters, fans and air-conditioners in the detection field.

11 Conformity

Gira Giersiepen GmbH & Co. KG hereby declares that the radio system type art. no. 5374 .. and 5376 .. meets the directive 2014/53/EU. You can find the full article number on the device. The complete text of the EU Declaration of Conformity is available under the Internet address: www.gira.de/konformitaet

12 Warranty

The warranty is provided in accordance with statutory requirements via the specialist trade. Please submit or send faulty devices postage paid together with an error description to your responsible salesperson (specialist trade/installation company/electrical specialist trade). They will forward the devices to the Gira Service Center.

Gira
Giersiepen GmbH & Co. KG
Elektro-Installations-
Systeme

Industriegebiet Mermbach
Dahlienstraße
42477 Radevormwald

Postfach 12 20
42461 Radevormwald

Deutschland

Tel +49(0)21 95 - 602-0
Fax +49(0)21 95 - 602-191

www.gira.de
info@gira.de