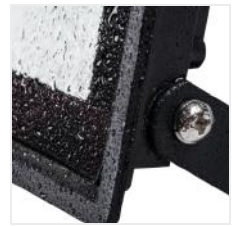
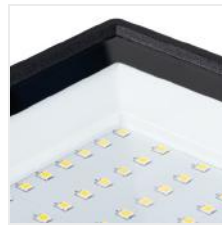


# GRUN NV

## Naświetlacz Led



[V] 220-240 AC	[Hz] 50	120° Φ <sub>use</sub>	[°] 110	≥30000	(h) 25000	ellipse ≤ 6x MacAdam
Ra 70	SMD				[°C] -15÷35	
[°] 130	0,5m	Hg				



### GRUN NV LED-10-B

[W]	[lm]	[lm] Φ <sub>use</sub>	T <sub>c</sub> [K]	<b>IP</b>		SENSOR	Ei
-----	------	-----------------------	--------------------	-----------	--	--------	----

GRUN NV LED-10-B	<b>31390</b>	10	800	750	4000	65	czarny	F
GRUN NV LED-20-B	<b>31391</b>	20	1700	1620	4000	65	czarny	F
GRUN NV LED-30-B	<b>31392</b>	30	2650	2500	4000	65	czarny	F
GRUN NV LED-50-B	<b>31393</b>	50	4500	4260	4000	65	czarny	F
GRUN NV LED-100-B	<b>31394</b>	100	9500	8670	4000	65	czarny	F
GRUN NV LED-150-B	<b>31395</b>	150	14250	13090	4000	65	czarny	F
GRUN NV LED-200-B	<b>31396</b>	200	19000	17500	4000	65	czarny	F
GRUN NV LED-10-B-SE	<b>31397</b>	10	800	750	4000	44	czarny	PIR F
GRUN NV LED-20-B-SE	<b>31398</b>	20	1700	1620	4000	44	czarny	PIR F
GRUN NV LED-30-B-SE	<b>31399</b>	30	2650	2500	4000	44	czarny	PIR F
GRUN NV LED-50-B-SE	<b>31400</b>	50	4500	4260	4000	44	czarny	PIR F

- Materiał obudowy: stop aluminium
- Materiał klosza: szkło hartowane

# GRUN NV

## Naświetlacz Led



GRUN NV LED-10-B



GRUN NV LED-20-B



GRUN NV LED-30-B



GRUN NV LED-50-B



GRUN NV LED-100-B



GRUN NV LED-150-B



GRUN NV LED-200-B



GRUN NV LED-10-B-SE



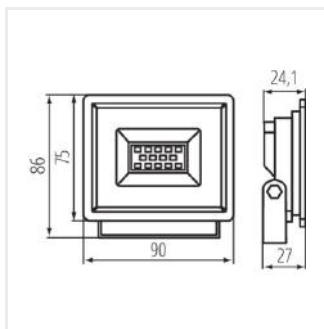
GRUN NV LED-20-B-SE



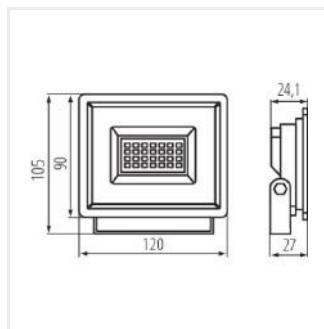
GRUN NV LED-30-B-SE



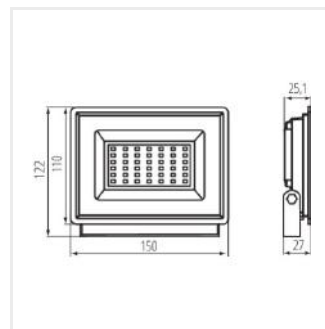
GRUN NV LED-50-B-SE



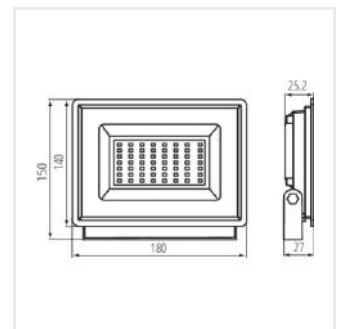
GRUN NV LED-10-B



GRUN NV LED-20-B



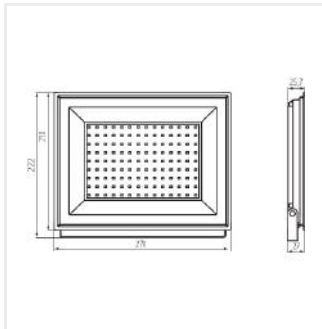
GRUN NV LED-30-B



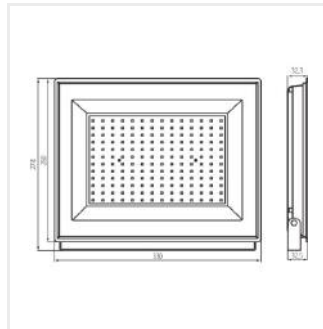
GRUN NV LED-50-B

# GRUN NV

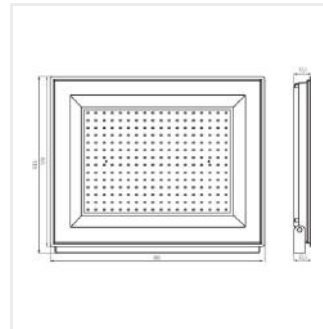
## Naświetlacz Led



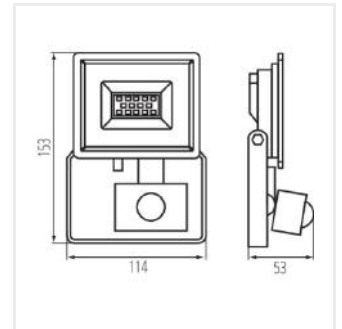
GRUN NV LED-100-B



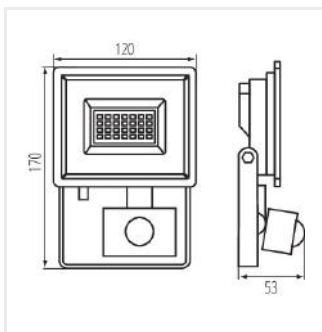
GRUN NV LED-150-B



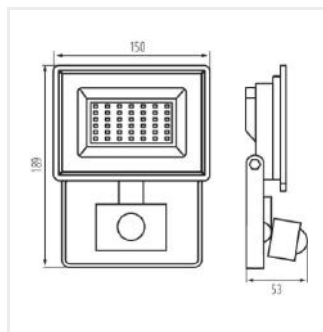
GRUN NV LED-200-B



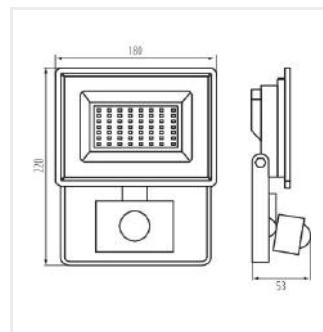
GRUN NV LED-10-B-SE



GRUN NV LED-20-B-SE



GRUN NV LED-30-B-SE



GRUN NV LED-50-B-SE