
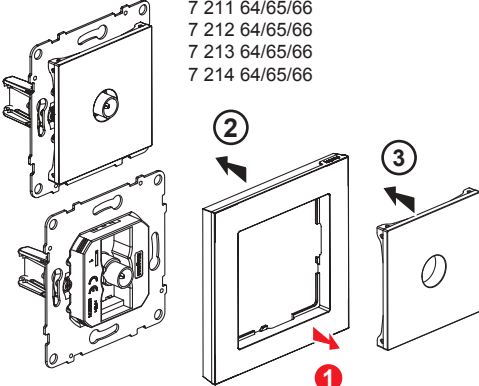
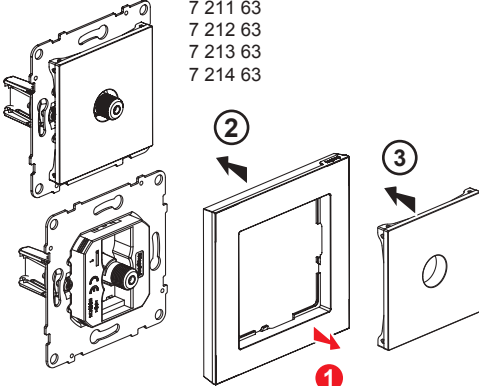
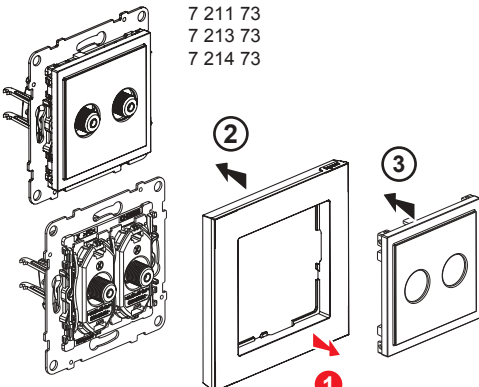
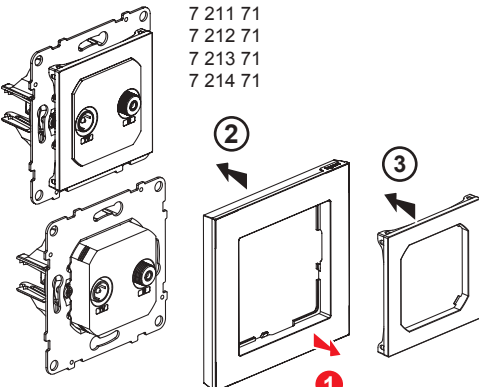
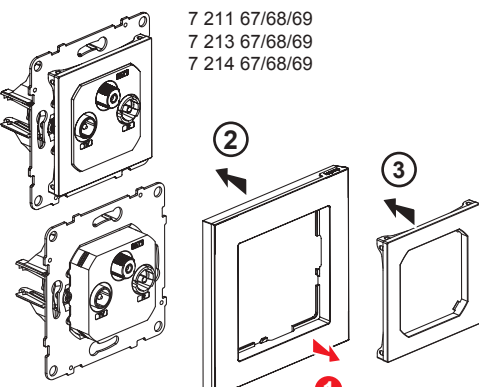
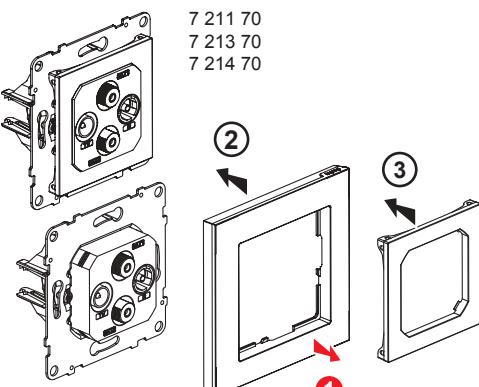
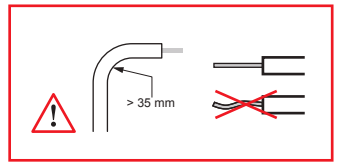
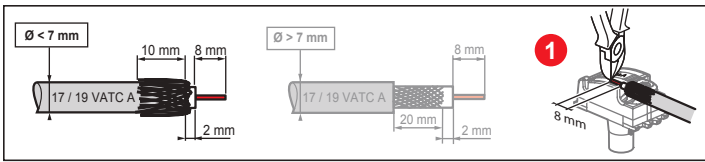
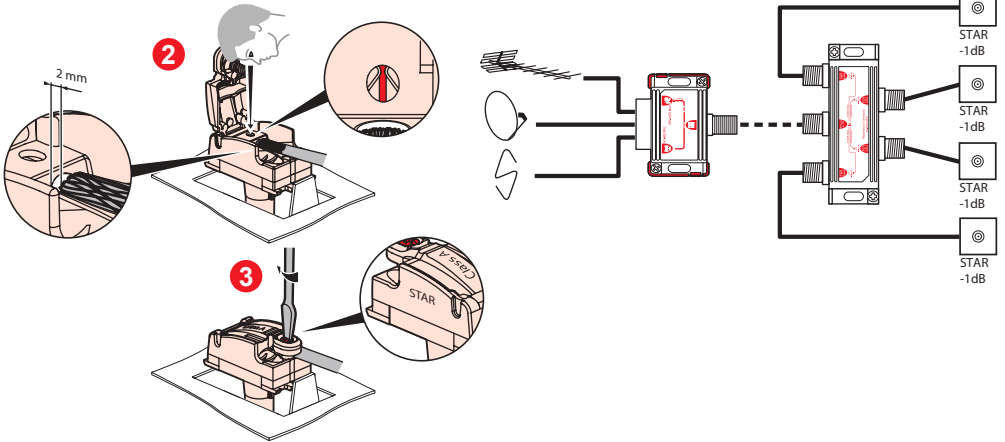
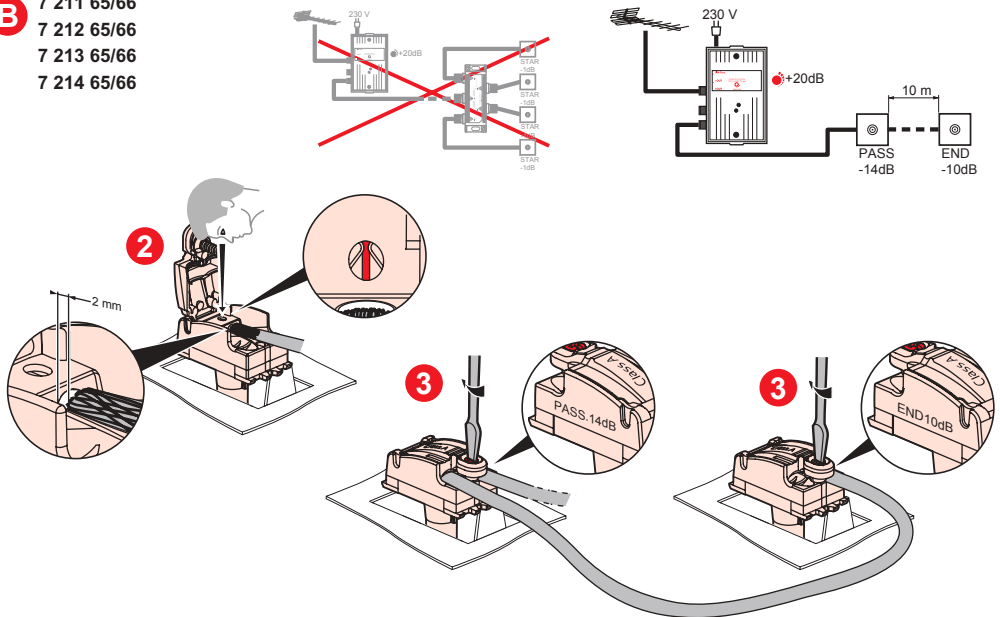
 -10°C...+70°C	 -5°C...+35°C
<p>7 211 64/65/66 7 212 64/65/66 7 213 64/65/66 7 214 64/65/66</p> 	<p>7 211 63 7 212 63 7 213 63 7 214 63</p> 
<p>7 211 73 7 213 73 7 214 73</p> 	<p>7 211 71 7 212 71 7 213 71 7 214 71</p> 
<p>7 211 67/68/69 7 213 67/68/69 7 214 67/68/69</p> 	<p>7 211 70 7 213 70 7 214 70</p> 



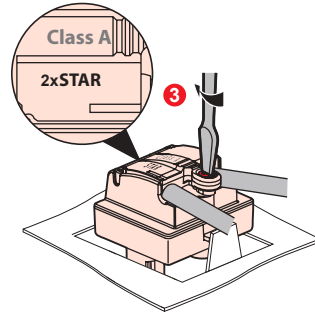
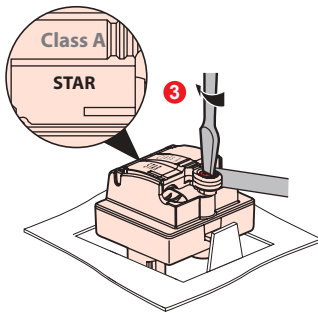
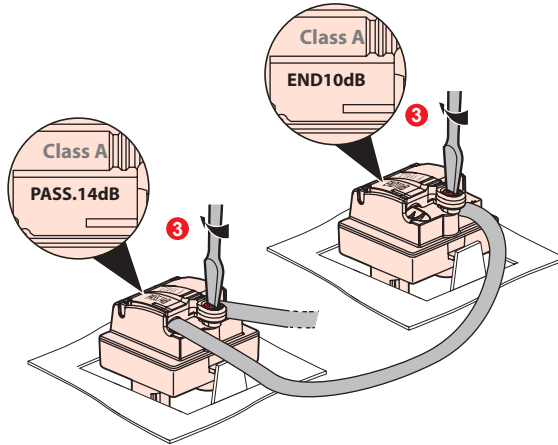
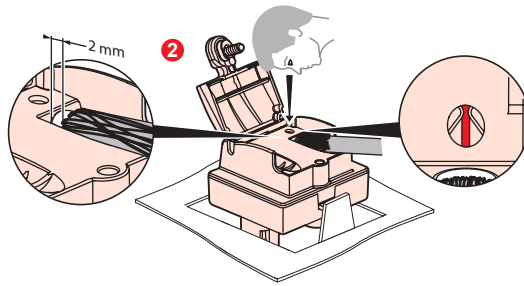
- A** 7 211 63/64/73  
 7 212 63/64  
 7 213 63/64/73  
 7 214 63/64/73



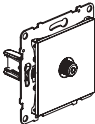
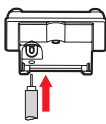
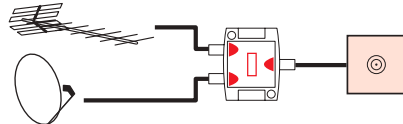
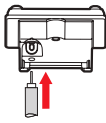
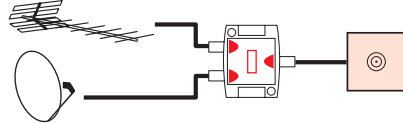
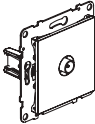
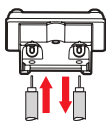
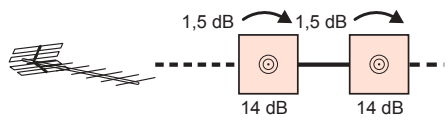
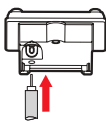
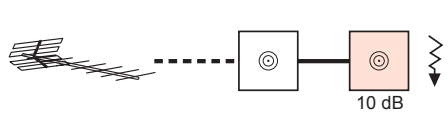
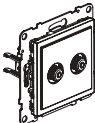
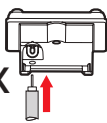
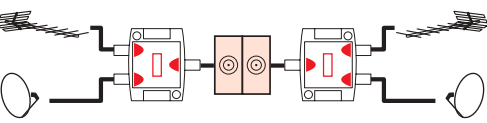
- B** 7 211 65/66  
 7 212 65/66  
 7 213 65/66  
 7 214 65/66


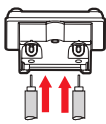
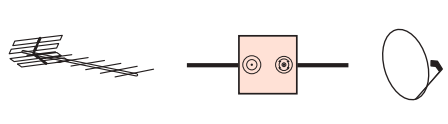


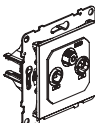
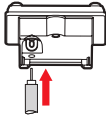
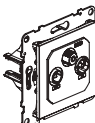
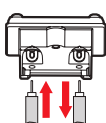
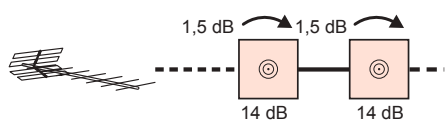
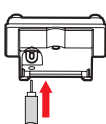
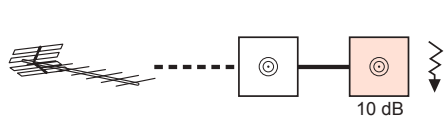
**C** 7 211 67/68/69/70/71  
 7 212 71  
 7 213 67/68/69/70/71  
 7 214 67/68/69/70/71

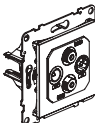
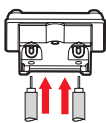
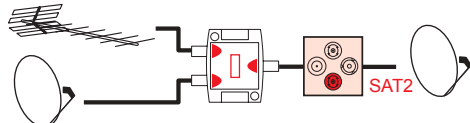


		cabling structure	Control	Return Path	Channel 1	Channel FM	Channel VHF	Channel UHF	Channel SAT (IF)
Z = 75 Ω	500 mA		22 kHz 0,6 V	4 - 30 MHz	47 - 68 MHz	87,5 - 240 MHz	120 - 470 MHz	470 - 862 MHz	950 - 2400 MHz
... 63/64/73	yes	star	1,5 dB				1,5 dB		
... 65	-	pass	-				14 dB		
... 66	-	end	-				10 dB		
... 67/70/71	yes	star	1,5 dB			1,5 dB			2 dB
... 68	yes	pass	1,5 dB				14 dB		
... 69	yes	end	1,5 dB				10 dB		

TV	... 63			
	... 64			
	... 65			
	... 66			
	... 73		2x 	

TV-SAT	... 71			
--------	--------	---	---	--

TV-R-SAT	... 67			
	... 68			
	... 69			

TV-R-SAT SAT	... 70			
-----------------	--------	---	---	--