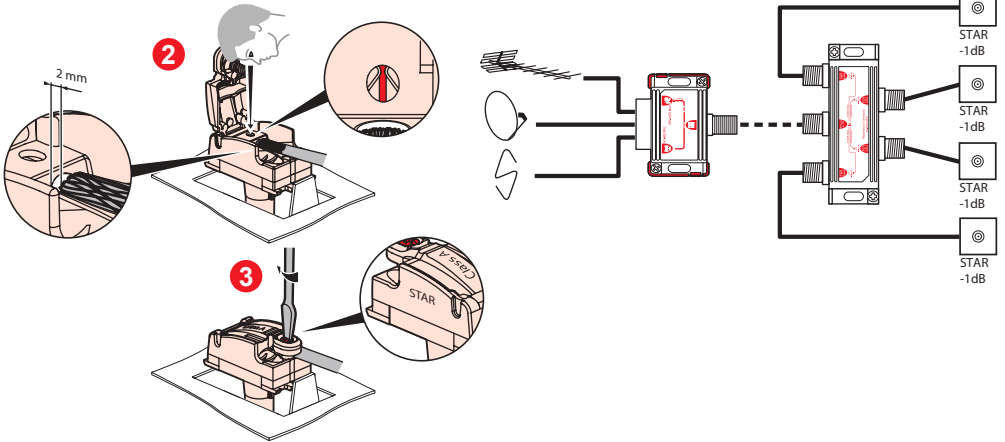
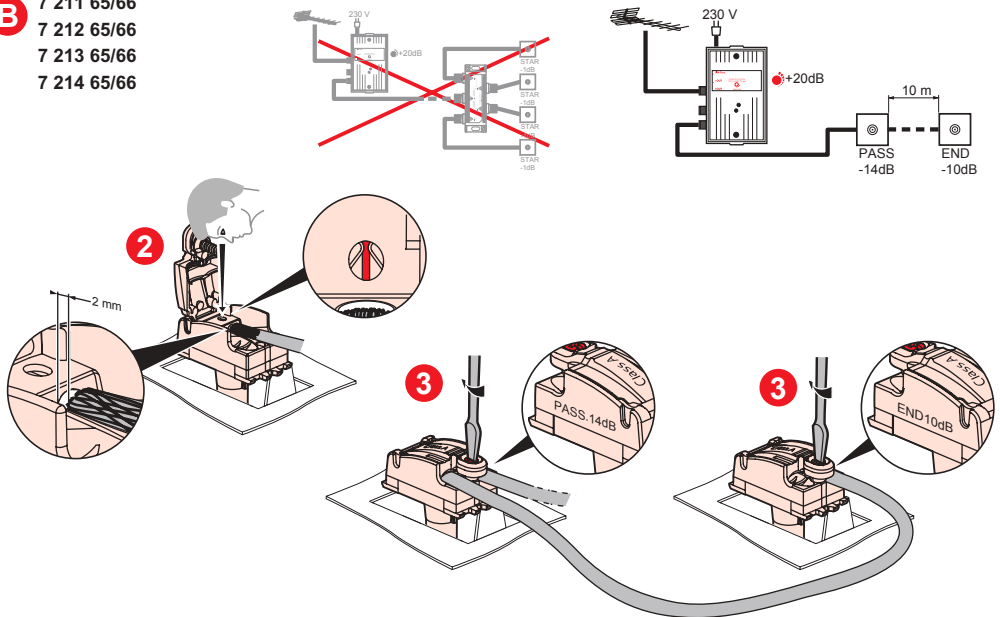


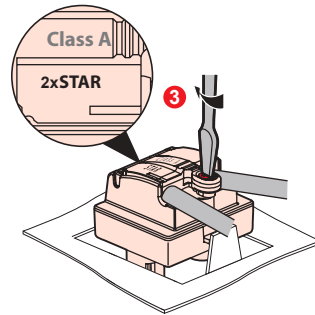
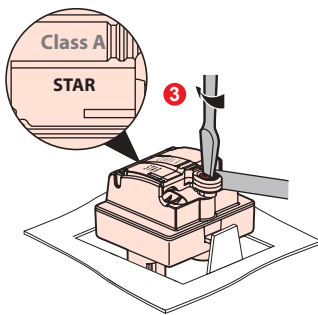
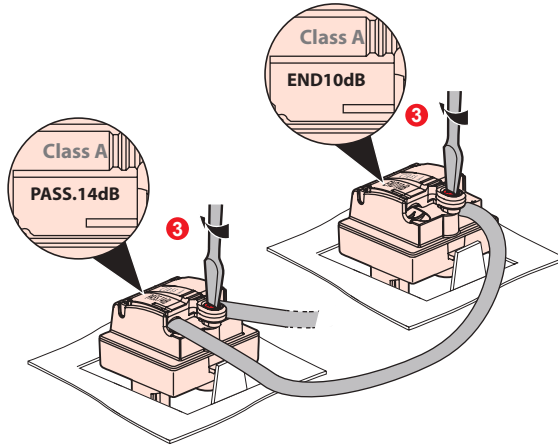
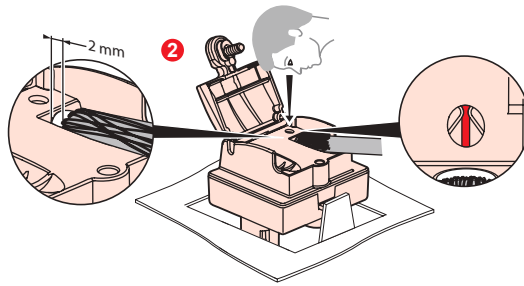
- A** 7 211 63/64/73  
 7 212 63/64  
 7 213 63/64/73  
 7 214 63/64/73



- B** 7 211 65/66  
 7 212 65/66  
 7 213 65/66  
 7 214 65/66



- C** 7 211 67/68/69/70/71
- 7 212 71
- 7 213 67/68/69/70/71
- 7 214 67/68/69/70/71



		cabling structure	Control	Return Path	Channel 1	Channel FM	Channel VHF	Channel UHF	Channel SAT (IF)
Z = 75 Ω	500 mA		22 kHz 0,6 V	4 - 30 MHz	47 - 68 MHz	87,5 - 240 MHz	120 - 470 MHz	470 - 862 MHz	950 - 2400 MHz
... 63/64/73	yes	star	1,5 dB			1,5 dB			
... 65	-	pass	-			14 dB			
... 66	-	end	-			10 dB			
... 67/70/71	yes	star	1,5 dB			1,5 dB			2 dB
... 68	yes	pass	1,5 dB			14 dB			
... 69	yes	end	1,5 dB			10 dB			

TV	... 63			
	... 64			
	... 65			
	... 66			
	... 73		<b>2x</b>	

TV-SAT	... 71			
--------	--------	--	--	--

TV-R-SAT	... 67			
	... 68			
	... 69			

TV-R-SAT SAT	... 70			
-----------------	--------	--	--	--