

7 21X 38/39

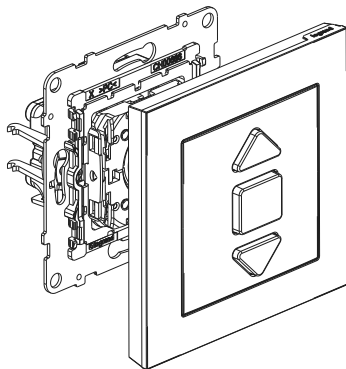
1. USE

Control mechanisms for roller shutters, blinds and awnings.
 Flush-mounting or surface-mounting.
 Screw and/or claw fixing.

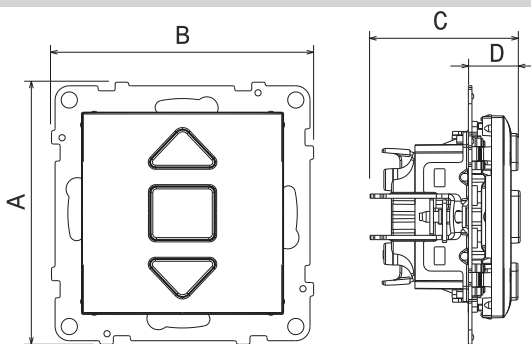
2. RANGE

Description	White	Ivory	Aluminium	Black
ROLLER BLIND PUSH BUTTON	7 211 38	7 212 38	7 213 38	7 214 38
ROLLER BLIND SWITCH	7 211 39	7 212 39	7 213 39	7 214 39

3. DISMANTLING



4. DIMENSIONS (mm)



References	A	B	C	D
7 21X 38/39	72,9	72,9	41,7	14,4

5. CONNECTION

Flexible or rigid cables compatible.

TYPE OF TERMINALS:

Auto terminal

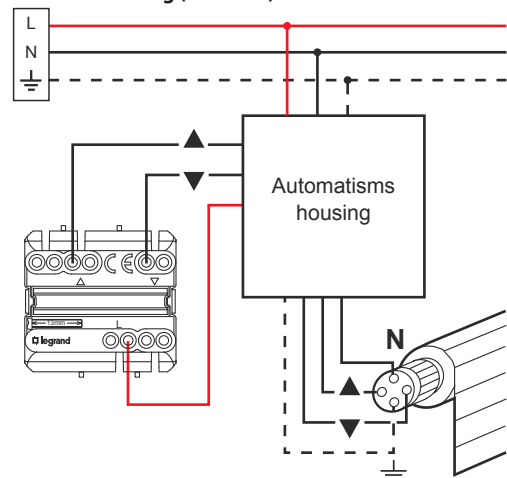
TERMINAL CAPACITY:

2 x 2.5mm²/terminal

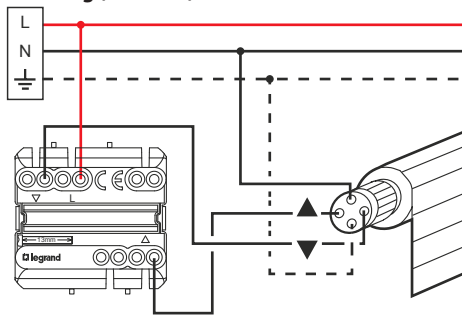
STRIPPING LENGTH:

13mm

■ 5.1 Push-button wiring (7 21X 38)



■ 5.2 Switch wiring (7 21X 39)



6. TECHNICAL CHARACTERISTICS

■ 6.1 Mechanical characteristics

Protection against solid bodies and liquids: IP20
Protection against impact: IK04

■ 6.2 Material characteristics

Polygloss appearance

Colour molded:

- White RAL 9003
- Ivory RAL 1013

Matt colour painted:

- Aluminum RAL 9023
- Black RAL 9017

Material:

- Plate ABS
- Socket covers: Polycarbonate
- Halogen-free
- UV resistant

Self-extinguishing:

850°C/30 s for installing components holding live parts in place
650°C/30 s for other insulating components

■ 6.3 Electrical characteristics

Voltage: 250 V~

Current:

- 6 A for 7 21X 38
- 6 AX for 7 21X 39

Frequency: 50/60 Hz

■ 6.4 Climatic characteristics

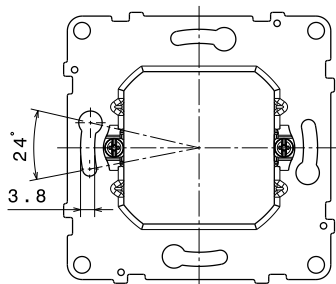
Usage temperature: -5°C to +35°C

Storage temperature: -10°C to +70°C

■ 6.4 Support

Material of support: -Metal

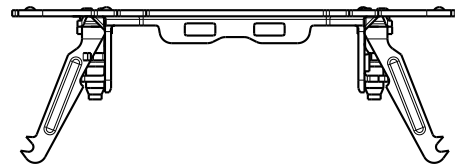
Angular adjusting:



■ 6.6 Fixing with claws

Number of turns to open the claws:

- 58 mm > 2,1 turns
- 65 mm > 2,75 turns



Performance of double teeth claws: extraction resistance:

7. MAINTENANCE

Surface cleaning with a cloth.

Do not use:

Acetone, tar remover, trichloroethylene.

Maintenance with the following products:

Hexane (EN 60669-1), Methylated spirit, Soapy water, Diluted ammonia, Bleach diluted to 10%, Window-cleaning products.

Caution: Always test before using other special cleaning products.

8. STANDARDS AND APPROVALS

Compliant with installation and manufacturing standards.

Refer to e-catalogue.