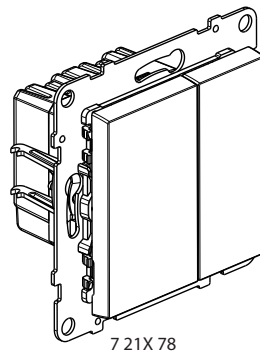


Suno™
PUSH-BUTTON DIMMER ALL CHARGES

Cat. No(s): 7 21X 78



7 21X 78

1. USE

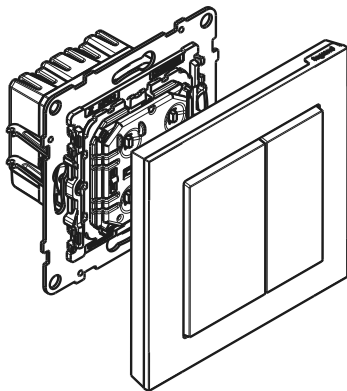
Comfort with dimming:
 2-wire eco-dimmer for any type of energy efficient lamp:

- Dimmable LED
- Dimmable compact fluorescent
- Fluorescent
- Halogen

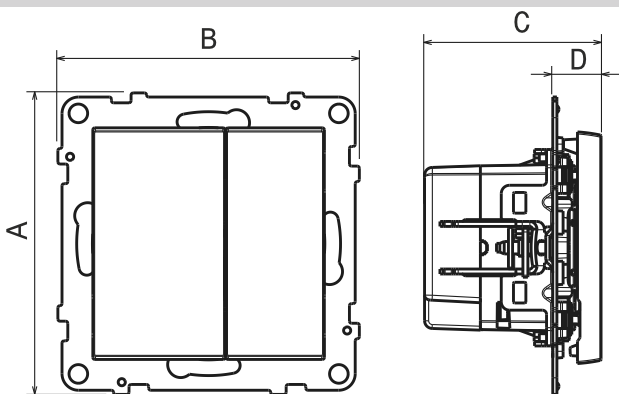
2. RANGE

Description	White	Ivory	Aluminium	Black
PUSH-BUTTON DIMMER ALL CHARGES	7 211 78	7 212 78	7 213 78	7 214 78

3. DISMANTLING



4. DIMENSIONS (mm)



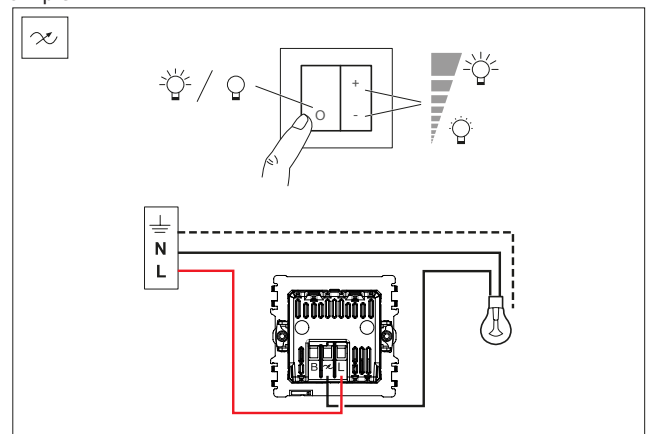
References	A	B	C	D
7 21X 78	72,9	72,9	42,7	11,7

5. CONNECTION

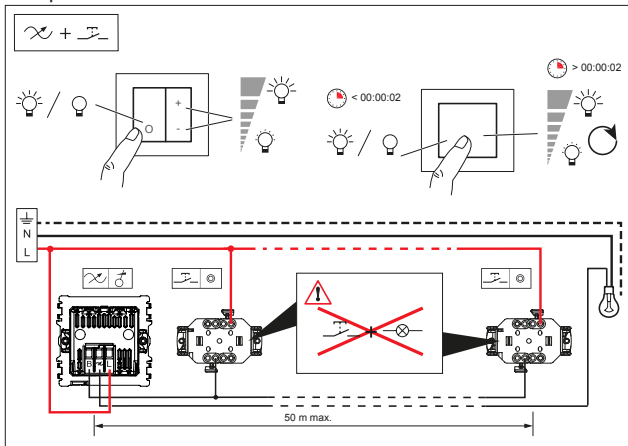
Screw terminals
 Terminal capacity:
 2 x 2.5 mm²
 Stripping length:
 8 mm

6. WIRING

Simple

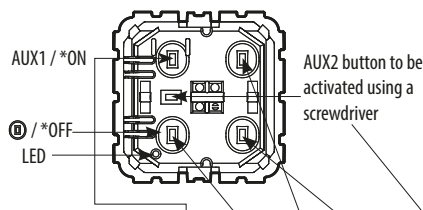


With push buttons



7. Operation

In order to start up the different usage types, unclip the rocker plates and press the buttons shown in the panel for 2 seconds.



Usage types	ON	Ⓞ	+	-	AUX
Restore to factory configuration (load recognition, capacitive mode, pushbutton assembly, level memory)	X	X	X	X	
Level memory activation	X	X	X		
Level memory deactivation	X	X		X	
Forced capacitive mode (no load recognition)	X	X		X	X
Forced inductive mode (no load recognition)	X	X	X		X
Children's bedrooms (pre-set levels + night light)	X	X			X
Pre-set levels mode			X	X	X
Dimmer mode		X	X		X
Two-way switch mode	X	X			
Pushbutton mode			X	X	

*ON/OFF : button ON/OFF for Mosaic

The LED shows the dimmer status after the AUX button has been pressed.

LED colour code:

Auto-capacitive	Continuous red factory configuration
Forced capacitive	Flashing red
Auto-inductive	Continuous green
Forced inductive	Flashing green

8. TECHNICAL CHARACTERISTICS

8.1 Admissible loads

	R		L		C/L	
	Light bulb	Light bulb + LED	Light bulb + LED	Light bulb + LED	Light bulb + LED	Dimmable LED
240V~ 50Hz	3 ... 400 W	3 ... 400 VA	3 ... 200 VA	3 ... 400 VA	3 ... 200 VA	3 ... 75 W ≤ 10 x
100V~ 60Hz	3 ... 200 W	3 ... 200 VA	3 ... 100 VA	3 ... 200 VA	3 ... 100 VA	3 ... 37 W ≤ 10 x

8.2 Protection class

IP 40: assembled product
IP 20: without rocker plate
IK 02

8.3 Material characteristics

Case: Polycarbonate
Rocker plate: ABS or PC
Halogen-free
UV-resistance

Self-extinguishing:

85°C/30 s for insulating components holding live parts in place.
65°C/30 s for other insulating components.

8.4 Electrical characteristics

Voltage: 100 to 240 Vac
Frequency: 50/60 Hz
Consumption on standby: 0.1 W

8.5 Climate characteristics

Storage temperature: -10°C to +70°C
Usage temperature: 0°C to +35°C

9. MAINTENANCE

Clean the surface with a cloth.

Do not use:

Acetone, tar-removing cleaning agents or trichloroethylene.

Caution: Always test before using other special cleaning products.

10. STANDARDS AND APPROVALS

Compliant with installation and manufacturing standards.
See e-catalogue.

Troubleshooting

The lamp does not switch on	<ul style="list-style-type: none"> . The circuit is not powered up . The dimmer is not wired correctly . The lamp is broken . The dimmer is broken . The dimmer is in two-way switch mode and is wired with a pushbutton (the status LED is flashing blue) 	<ul style="list-style-type: none"> . Power up . Check the wiring . Replace the lamp . Replace the dimmer . Switch off the mains power to the dimmer circuit (reset the dimmer) and force the dimmer to pushbutton mode (see manual)
The lamp is flickering and cannot be dimmed	<ul style="list-style-type: none"> . The lamp is not dimmable . The ballast is not dimmable . The lamp and ballast are not compatible . The dimmer is broken 	<ul style="list-style-type: none"> . Replace the lamp with a dimmable lamp . Replace the ballast with a dimmable ballast . Replace the lamp or the ballast to make them compatible . Replace the dimmer
Dimming is not working correctly: (stop/restart; dimming intermittently, etc.)	<ul style="list-style-type: none"> . The dimmer is in a mode that is not compatible with the load 	<ul style="list-style-type: none"> . Press the AUX2 button to switch on the status LED - If the LED is green, set the dimmer to capacitive mode (see manual) - If the LED is red, set the dimmer to inductive mode (see manual)
The lamp is flickering at max. lighting	Technical characteristics of the lamp	Adjust the upper threshold (see manual)
The lamp is flickering at min. lighting	Technical characteristics of the lamp	Adjust the lower threshold (see manual)
The lamp switches on but it cannot be dimmed or switched off	<ul style="list-style-type: none"> . The dimmer is in pushbutton mode and is wired with a two-way switch (status LED ?) 	Force the dimmer to two-way switch mode (see manual)
The lamp switches on unexpectedly by itself	<ul style="list-style-type: none"> . The dimmer is faulty 	<ul style="list-style-type: none"> . Replace the dimmer
The lamp is making a noise	<ul style="list-style-type: none"> . The dimmer is in a mode that is not compatible with the load . The lamp is not dimmable, or can only be dimmed a little 	<ul style="list-style-type: none"> . Press the AUX2 button, etc. (see above) . Replace the lamp
The dimmer is making a noise	<ul style="list-style-type: none"> . The dimmer is in a mode that is not compatible with the load 	<ul style="list-style-type: none"> . Press the AUX2 button, etc. (see above)