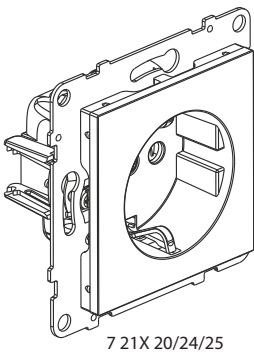
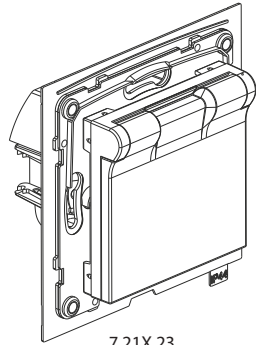


Suno™
Socket outlets - German Standard

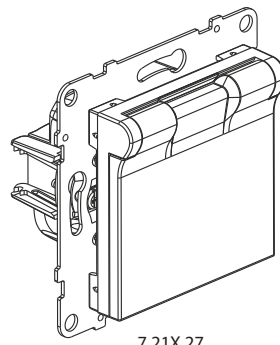
**Cat. No(s): 7 21X 20, 7 21X 23, 7 21X 24,
 7 21X 25, 7 21X 27, 7 21X 28**



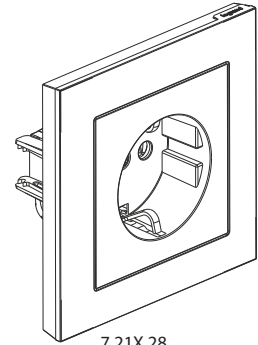
7 21X 20/24/25



7 21X 23



7 21X 27



7 21X 28

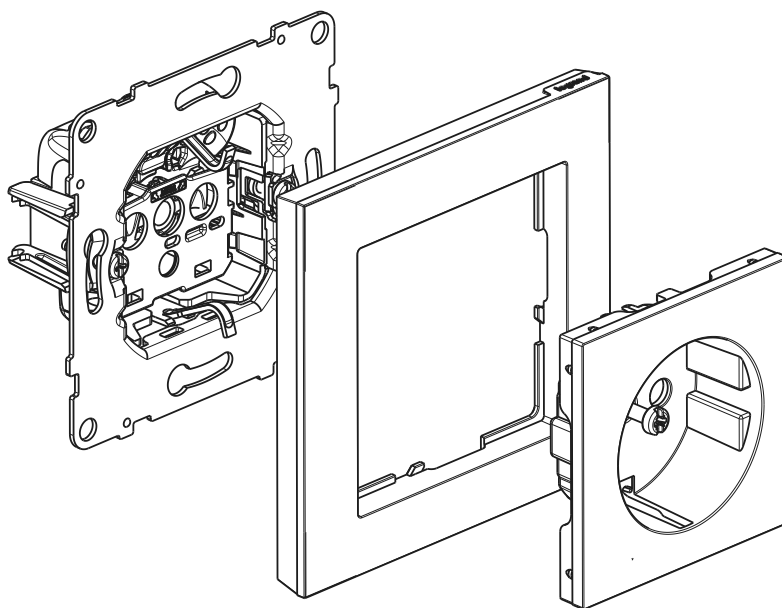
1. USE

Socket outlets with or without shutters.
 Flush-mounting.
 Screw and/or claw fixing.

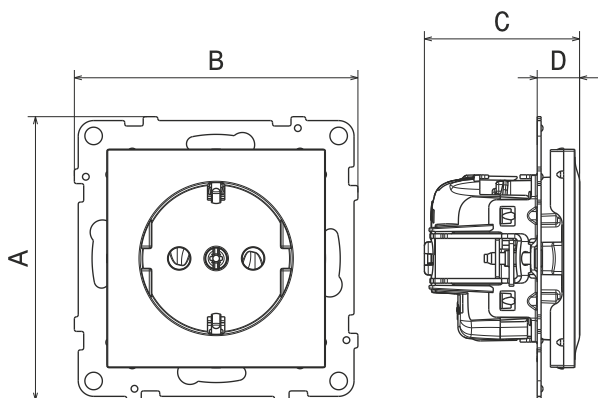
2. RANGE

SOCKET OUTLETS WITHOUT SHUTTERS:	White	Ivory	Aluminum	Black
2P+E sockets screw terminal	7 211 25	7 212 25	7 213 25	7 214 25
SOCKET OUTLETS WITH SHUTTERS:	White	Ivory	Aluminum	Black
2P+E sockets auto terminal	7 211 20	7 212 20	7 213 20	7 214 20
IP44 2P+E sockets auto terminal	7 211 23	7 212 23	7 213 23	7 214 23
2P+E sockets screw terminal	7 211 24		7 213 24	7 214 24
2P+E sockets auto terminal with IP21 FLAP	7 211 27		7 213 27	7 214 27
2P+E sockets screw terminal with MONOBLOCK coverplate	7 211 28		7 213 28	7 214 28

3. DISMANTLING



3. DIMENSIONS (mm)



References	A	B	C	D
7 21X 20/24/25	72,9	72,9	39,6	10,6
7 21X 23	81,25	81,25	48,3	19,75
7 21X 27	72,9	72,9	48	19
7 21X 28	83	83	40	11

5. CONNECTION

Flexible or rigid cables compatible.

TYPE OF TERMINALS:			
Screw terminal Tightening torque: 0,8 Nm	7 21X 24	7 21X 25	7 21X 28
Auto terminal	7 21X 20	7 21X 23	7 21X 27

Terminal capacity:
6 X 2.5mm²

Stripping length:
13mm

Screwdriver:
Posidrive 1, flat 4mm

6. TECHNICAL CHARACTERISTICS

■ 6.1 Mechanical characteristics

Protection against solid bodies and liquids:

IP20	7 21X 20	7 21X 24	7 21X 25	7 21X 28
IP21	7 21X 27			
IP44	7 21X 23			

Protection against impact: IK04

■ 6.2 Material characteristics

Polygloss appearance

Colour molded:

- White RAL 9003
- Ivory RAL 1013

Matt colour painted:

- Aluminum RAL 9023
- Black RAL 9017

Material:

- Plate ABS
- Socket covers: Polycarbonate
- Halogen-free
- UV resistant

Self-extinguishing:

850°C/30 s for installing components holding live parts in place
650°C/30 s for other insulating components

■ 6.3 Electrical characteristics

Voltage: 250 V~

Current: 16 A

Frequency: 50/60 Hz

■ 6.4 Climatic characteristics

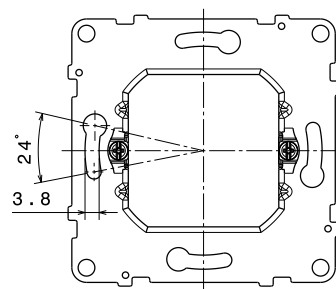
Usage temperature: -5°C to +35°C

Storage temperature: -10°C to +70°C

■ 6.5 Support

Material of support: -Metal

Angular adjusting:

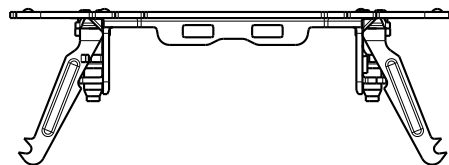


■ 6.6 Fixing with claws

Number of turns to open the claws:

- 58 mm > 2,1 turns

- 65 mm > 2,75 turns



■ 6.7 Cover fixing

Fixing with screw maximum 1 Nm tightening

7. MAINTENANCE

Surface cleaning with a cloth.

Do not use:

Acetone, tar remover, trichloroethylene.

Maintenance with the following products:

Hexane (EN 60669-1), Methylated spirit, Soapy water, Diluted ammonia, Bleach diluted to 10%, Window-cleaning products.

Caution: Always test before using other special cleaning products.

8. STANDARDS AND APPROVALS

Compliant with installation and manufacturing standards.

Refer to e-catalogue.