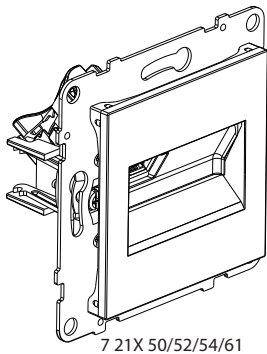
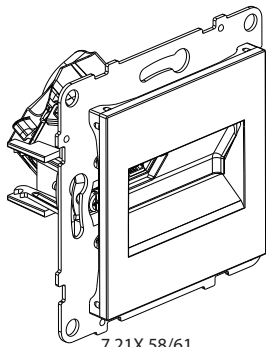


**Suno™**  
**Data sockets**

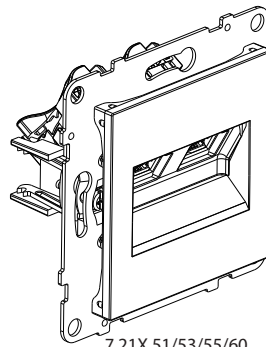
Cat. No(s): 7 21X 50/51/52/53/54/55/57/58/59/60/61



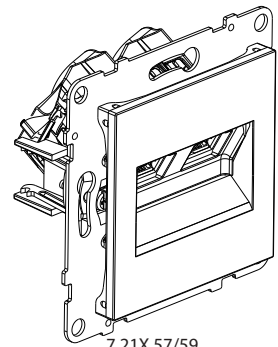
7 21X 50/52/54/61



7 21X 58/61



7 21X 51/53/55/60



7 21X 57/59

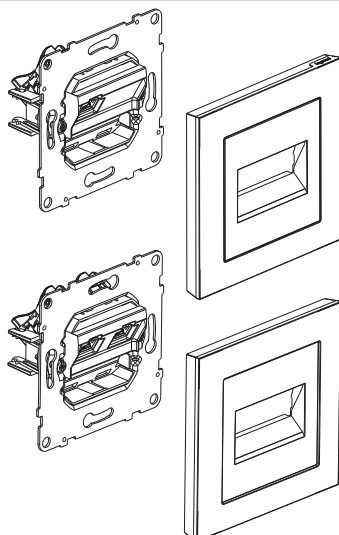
**1. USE**

Category 6 RJ45 socket.  
 Allows high-speed transmissions (Gigabit Ethernet).  
 Can be flush mounted in a box min. 40 mm deep.  
 To be equipped with plate.

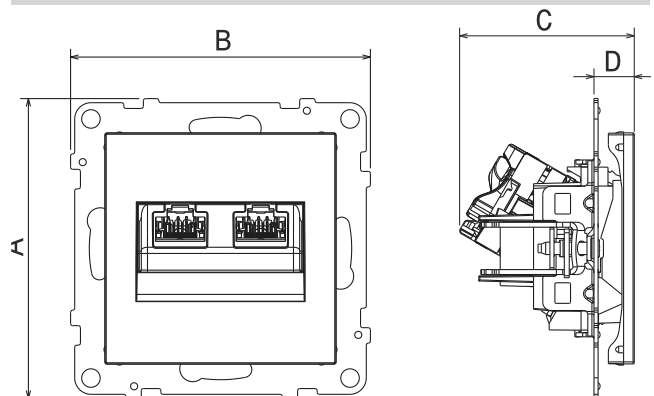
**2. RANGE**

Description	White	Ivory	Aluminum	Black
RJ45 CAT5E UTP	7 211 50		7 213 50	7 214 50
2XRJ45 CAT5E UTP	7 211 51		7 213 51	7 214 51
RJ45 CAT6 UTP	7 211 52	7 212 52	7 213 52	7 214 52
2XRJ45 CAT6 UTP	7 211 53	7 212 53	7 213 53	7 214 53
RJ45 CAT6A UTP	7 211 54	7 212 54	7 213 54	7 214 54
2XRJ45 CAT6A UTP	7 211 55	7 212 55	7 213 55	7 214 55
RJ45 CAT6 STP	7 211 56		7 213 56	7 214 56
2XRJ45 CAT6 STP	7 211 57		7 213 57	7 214 57
RJ45 CAT6A STP	7 211 58		7 213 58	7 214 58
2XRJ45 CAT6A STP	7 211 59		7 213 59	7 214 59
RJ11+RJ45 CAT6 UTP	7 211 60		7 213 60	7 214 60
RJ11	7 211 61	7 212 61	7 213 61	7 214 61

**3. DISMANTLING**



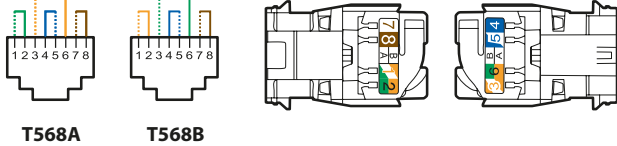
**4. DIMENSIONS (mm)**



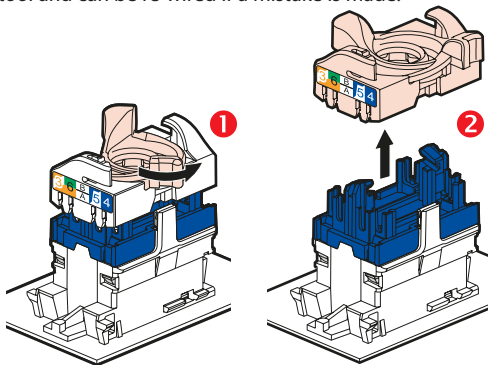
References	A	B	C	D
7 21X 50/51/52/53/54/55/60/61	72,9	72,9	42,5	9,8
7 21X 56/57/58/59	72,9	72,9	44,1	9,8

## 5. CONNECTION

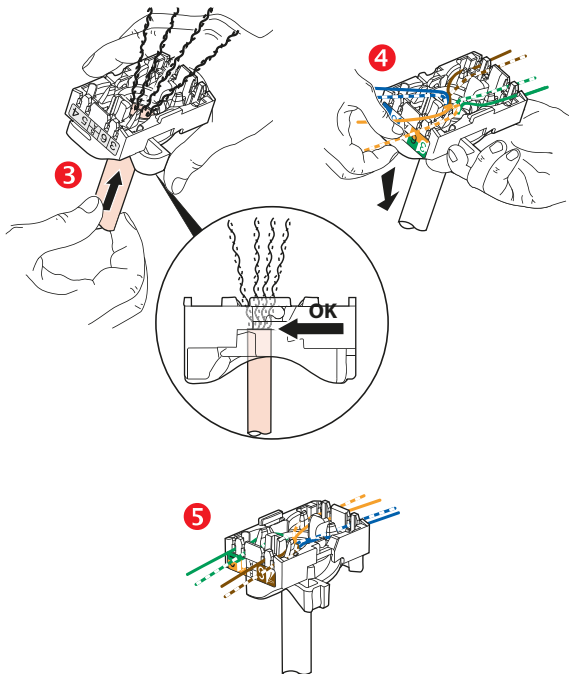
Accepts the following cable connectors:  
RJ 11 (4 contacts), RJ 12 (6 contacts), RJ 45 (9 contacts).  
Double colour code T568A and T568B on terminals:  
UTP 8 contacts  
FTP 9 contacts  
STP 9 contacts 360° screen



Conductors supported:  
- Single core/Multicore: 0.4 to 0.65 mm, AWG 26 to 22  
- Polyethylene conductor insulation: Ø on insulation 0.85 to 1.7 mm  
RJ45 connectors are equipped with a locking nut. They do not require a special tool and can be re-wired if a mistake is made.



This system makes it easy to spread pairs before fitting them onto the connector.



## 6. TECHNICAL CHARACTERISTICS

■ **6.1 Mechanical characteristics**  
Protection against impacts: IK 03  
Protection against solid/bodies and liquids: IP 20  
Maximum number of connections and disconnections: 5 without replacing the wire.  
Endurance: 2500 operations (plugging in/unplugging).

## ■ 6.2 Material characteristics

Polygloss appearance  
Colour: - White RAL 9003  
- Ivory RAL 1013  
- Aluminum  
- Black

Material: - Cover: ABS  
- Base: Polycarbonate  
- Halogen-free  
- UV resistant

Motor: -Casing: zamac  
-Cover: zamac  
-Pin: bronze  
1- screw: galvanized steel

Self-extinguishing:  
850°C/30 s for installing components holding live parts in place  
650°C/30 s for other insulating components

## ■ 6.3 ELECTRICAL CHARACTERISTICS

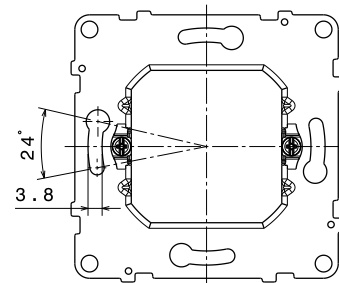
Breakdown voltage 1000 VDC  
Contact resistance 20 mΩ  
Insulation resistance 500 mΩ at 100 VDC  
Tested and independently certified to comply with IEC 60512-99-001 and IEC 60512-99-002 for PoE support up to 90 W (Type 4).

## ■ 6.4 Climate characteristics

Usage temperature: - 5°C to + 35°C  
Storage temperature: - 10°C to + 70°C

## ■ 6.5 Support

Material of support: -Metal  
Angular adjusting:



## 7. MAINTENANCE

Surface cleaning with a cloth.

Do not use:  
Acetone, tar remover, trichloroethylene.

Maintenance with the following products:  
Hexane (EN 60669-1), Methylated spirit, Soapy water, Diluted ammonia, Bleach diluted to 10%, Window-cleaning products.

**Caution:** Always test before using other special cleaning products.

## 8. STANDARDS AND APPROVALS

Connectors are compliant to requirements for the following remote powering applications:  
IEEE 802.3af, IEEE 802.3at, IEEE 802.3bt : "Power over Ethernet", Type 1 to 4, up to 90 W.  
Compliant with installation and manufacturing standards.  
See e-catalogue.

■ 8.1 Performance of components (RJ 45 connectors)

