

IP flush-mounted radio

**GIRA**

2320 ..



10870207 05/23



**Symbols on the display**

The information shown on the display may be different, depending on the settings in the Gira System 3000 app.

- 1,2,3 Favourite station active
- Bluetooth connection active
- WLAN connection active
- Sleep mode active
- Alarm clock active
- 12:03 Time

**Operating surface symbols**

- >> Press briefly: next station (radio) or track (Sonos, Bluetooth stream)  
Press and hold: previous station or track
- 1, 2 Press briefly: play favourite, Sonos: 1-previous playlist, 2-next playlist  
Press and hold: save current station as favourite
- ⏻ Press briefly: switch on or off or set active alarm clock to snooze mode  
Press and hold: switch off automatically after 30 min (activate sleep mode) or switch off active alarm clock when on, activate alarm clock when off
- + , - Increase or decrease volume

**Installation**

**⚠ DANGER!**  
Risk of death from electric shock. Disconnect the device. Cover any live parts.

**Selecting the installation location:**

- Install indoors in an area protected against dripping and splashing water.
- If there are any electronic devices (e.g. ballasts) in the same installation unit or in the immediate vicinity, test on site and increase the spacing in the event of malfunctions.
- Recommended installation height approx. 1.5 m

**Safety**

**⚡ Electrical devices may only be installed and connected by a qualified electrician!**

These instructions are an integral part of the product and must remain with the end customer.

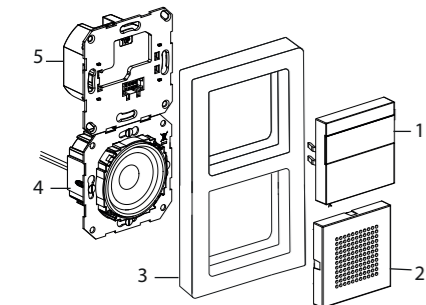
**Accessories**

- Speaker for the IP flush-mounted radio (Item no. 2282 ..)

**Intended use**

- Playback of internet radio stations via connected speakers or speakers for mobile devices, operation of a Sonos music system
- Possible to operate and programme using a mobile end device (smartphone or tablet) via Bluetooth with the Gira System 3000 app
- Installation in DIN 49073 device box

**Device components**



- 1 IP flush-mounted radio operating top unit with display and operating surface
- 2 Speaker cover
- 3 Cover frame
- 4 Speaker insert
- 5 IP flush-mounted radio insert

**Connecting speakers (optional)**

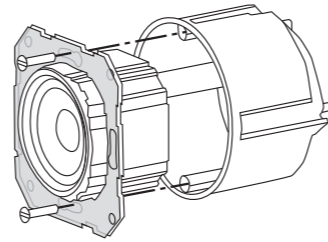
The speaker impedance must not be less than 4 ohms!

1. Insert the speaker insert and lay the speaker insert connection cables in the device box of the IP flush-mounted radio insert

**ⓘ Do not remove the support ring seal for low-frequency reproduction.**

The support ring seal of the speaker insert acoustically decouples the insert from the front sound opening and improves the low-frequency reproduction.

Do not remove the support ring seal and do not damage it, except for piercing it with the mounting screws.

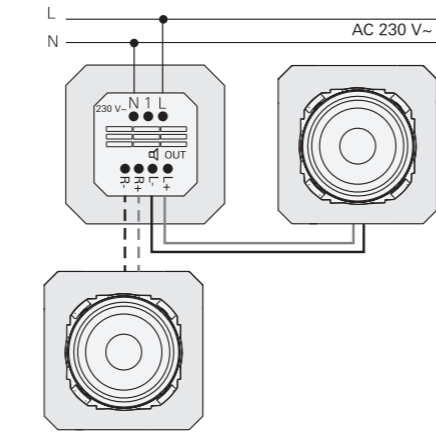


2. Connect the speaker connection cables to the IP flush-mounted radio insert.

Terminal	Connection cable
+	red
-	black

**ⓘ Mono operation!**

For mono operation, connect the speaker insert to the left channel (L+/L-).



**Connecting the supply voltage**

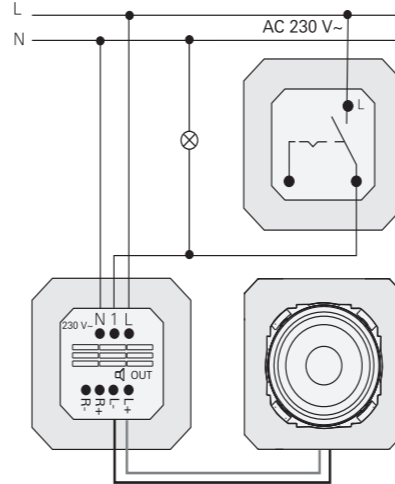
3. Connect the supply voltage (230 V) to the L/N terminals of the IP flush-mounted radio insert.

**Connecting auxiliary unit (optional)**

The auxiliary unit can be used to switch the flush-mounted radio simultaneously with the lighting, for example.

After switching on, the radio may take up to 5-10 seconds to load.

4. Connect the switched phase of a switch to the auxiliary input (1) of the IP flush-mounted radio:  
Use the same phase for the auxiliary input and the power supply of the IP flush-mounted radio.



**Installing inserts and cover frames**

5. Insert the IP flush-mounted radio insert into the flush-mounted device box.
6. Remove the protective cover plate from the speaker insert.
7. Position the cover frame and attach the speaker cover and operating top unit.

**Start-up**

After starting the IP flush-mounted radio for the first time or after a factory reset, the start-up wizard will guide you through selecting the countries and speakers. Afterwards, you can choose to set it up with the app or without the app (using WPS). It is only possible to set it up as a Sonos operating device via the app.

**Setup with the app**

Requirement: You must have the Gira System 3000 app installed on a mobile end device with a Bluetooth interface and Android or iOS operating system.

1. Press button 2 on the IP flush-mounted radio.  
✓ Setup type "with the app" is selected.
2. Start the Gira System 3000 app and follow the instructions.
3. At the end of the setup process, you can choose between WLAN Radio and Sonos Control. This selection is also available via the device parameters in the System 3000 App.

**Setup without the app (using WPS)**

1. Press button 1 on the IP flush-mounted radio.  
✓ Setup type "WPS" is selected.
2. Activate the WPS function on the router.  
✓ This establishes a WLAN connection.
- ✓ During start-up, the IP flush-mounted radio saves the first 20 stations it finds.

**Operation on the device**

Only a light touch of the buttons is required for operation.

**Switch on**

1. Press the ⏻ button.  
✓ When the device is switched on, the station or track last listened to will be played at the volume last set.

**Switch off**

1. Press the ⏻ button.  
✓ The radio is switched off.

**Activate sleep mode**

1. Press the ⏻ button for > 1 second.  
✓ After 30 min, the IP flush-mounted radio will switch off automatically.

**Select the next station or track:**

1. Briefly press the >> button repeatedly until the desired station or track is playing.  
✓ Each time you press the button, the next station or track in your favourites will be played.

**Select the previous station or track:**

1. Press the >>> button for > 1 second repeatedly until the desired station is playing.  
✓ The previous station or track from your favourites will be played.

**Changing the volume**

1. Press the + or - buttons briefly to change the volume in increments.  
or  
Press and hold the + or - buttons to change the volume quickly.  
✓ The volume is increased or decreased.

**Play favourite**

1. Press button 1 or 2 or, for favourite 3, press buttons 1 and 2 briefly at the same time.  
✓ The selected favourite is played.

**Save favourite**

1. Press button 1 or 2 or, for favourite 3, press buttons 1 and 2 for > 1 second at the same time.  
✓ Once the favourite is saved, the memory number is shown on the display.

**Pairing the IP flush-mounted radio with the Gira System 3000 app**

Requirement: The IP flush-mounted radio must be switched off.

1. Hold down the + button for 4 seconds.  
✓ The Bluetooth icon on the display will flash, indicating that it is searching for a connection.
2. Start the Gira System 3000 app and search for the device.  
✓ Following successful connection, the Bluetooth symbol will light up for as long as the Gira System 3000 app is connected to the IP flush-mounted radio.

**Resetting the IP flush-mounted radio to factory settings**

1. Press and hold button 2 and >>> at the same time.  
✓ After 4 seconds, a countdown will appear on the display of the IP flush-mounted radio. At the end of the countdown, the device will be reset to factory settings.

**Technical data**

Nominal voltage	AC 230 V, 50 Hz
Input current	75 mA
Speaker impedance	4 to 16 Ω
Standby power	≤ 2 W
Mains frequency	50 Hz
Connection terminals	1.5 mm <sup>2</sup> to 2.5 mm <sup>2</sup>
Mains:	0.5 mm <sup>2</sup> to 1.5 mm <sup>2</sup>
Speaker:	
Installation depth	32 mm
Speaker cable	Max. 20 m
Audio performance	1.5 W (8 Ω) 3,0 W (4 Ω)
Wireless frequency	2.402 to 2.480 GHz
Transmission power	Max. 2.5 mW Class 2
Transmission range	typically 10 m
Ambient temperature	-5 to +45°C
Storage/transport temperature	-20 to +70°C

**Conformity**

Gira Giersiepen GmbH & Co. KG hereby declares that the wireless system type, item no. 2320 .. conforms to Directive 2014/53/EU. The complete item number can be found on the device. The complete text of the EU declaration of conformity is available at the following web address: [www.gira.de/konformitaet](http://www.gira.de/konformitaet)

**Warranty**

The warranty is provided in accordance with the statutory requirements via the retailer. Please hand over or send faulty devices postage paid and with a description of the problem to your sales representative (retailer / installation company / electronics retailer), who will forward the devices to the Gira Service Centre.

**Gira**

Gira  
Giersiepen GmbH & Co KG  
Elektro-Installations-Systeme  
P.O. Box 1220  
42461 Radevormwald, Germany  
Phone: +49 2195 602 - 0  
Fax: +49 2195 602 - 191  
info@gira.de  
www.gira.de