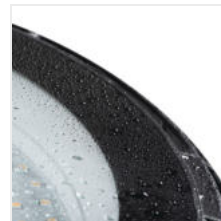
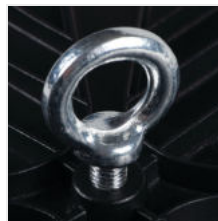


HB UFO LED

Oprawa LED high bay



[V] 220-240 AC	[Hz] 50	[°] 110	[lm] ≥25000	[h] 20000	ellipse ≤ 6x MacAdam	Ra 80
SMD			IP 65		[°C] -20÷40	
		1m	Hg			



HB UFO LED 100W-NW



	[W]	[lm]	[°]	Tc [K]		
HB UFO LED 100W-NW	31405	100	10000	8500	4000	czarny F
HB UFO LED 150W-NW	31406	150	15000	12600	4000	czarny F
HB UFO LED 200W-NW	31407	200	20000	17000	4000	czarny F

- Materiał obudowy: stop aluminium
- Materiał szyby ochronnej: szkło hartowane



HB UFO LED

Oprawa LED high bay



HB UFO LED 100W-NW



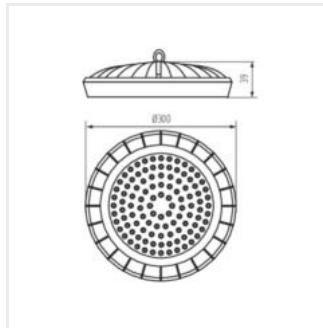
HB UFO LED 150W-NW



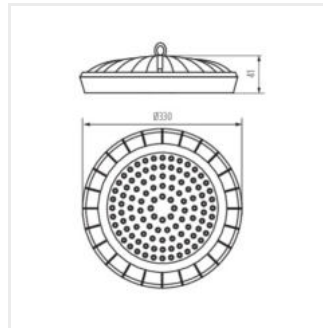
HB UFO LED 200W-NW



HB UFO LED 100W-NW



HB UFO LED 150W-NW



HB UFO LED 200W-NW