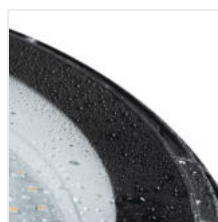
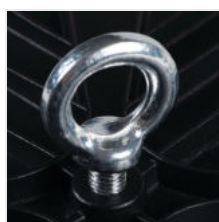


## HB UFO LED

Oprawa LED high bay



[V] 220-240 AC	[Hz] 50	[°] 110	[lm] ≥25000	[h] 20000	ellipse ≤ 6x MacAdam	Ra 80
SMD			IP 65		°C -20÷40	
		1m		CE	EAC	UK CA



### HB UFO LED 100W-NW



	Power [W]	Lumen [lm]	Beam angle [°]	Junction temperature [K]	Color	Energy efficiency class
HB UFO LED 100W-NW	<b>31405</b>	100	10000	8500	4000	czarny F
HB UFO LED 150W-NW	<b>31406</b>	150	15000	12600	4000	czarny F
HB UFO LED 200W-NW	<b>31407</b>	200	20000	17000	4000	czarny F

- Materiał obudowy: stop aluminium
- Materiał szyby ochronnej: szkło hartowane



## HB UFO LED

---

### Oprawa LED high bay



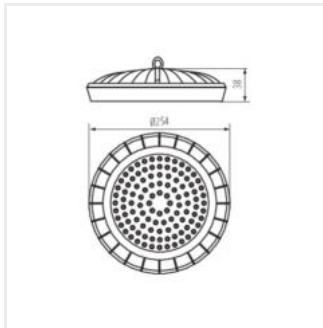
HB UFO LED 100W-NW



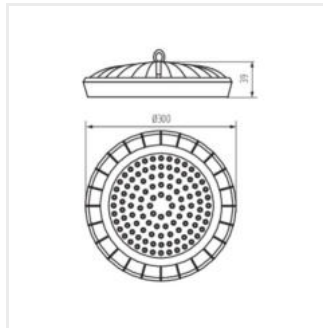
HB UFO LED 150W-NW



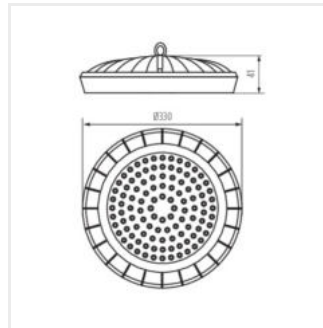
HB UFO LED 200W-NW



HB UFO LED 100W-NW



HB UFO LED 150W-NW



HB UFO LED 200W-NW