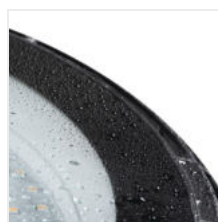
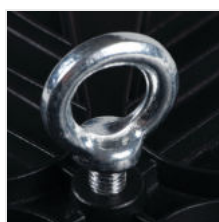


## HB UFO LED

Oprawa LED high bay



|                   |            |            |                |              |                         |          |
|-------------------|------------|------------|----------------|--------------|-------------------------|----------|
| [V]<br>220-240 AC | [Hz]<br>50 | [°]<br>110 | [lm]<br>≥25000 | [h]<br>20000 | ellipse<br>≤ 6x MacAdam | Ra<br>80 |
| SMD               |            |            | IP<br>65       |              | [°C]<br>-20÷40          |          |
|                   |            | 1m         | Hg             |              |                         |          |
|                   |            |            |                |              |                         |          |



### HB UFO LED 100W-NW



|                    | P <sub>on</sub> [W] | [lm] | [lm] Φ <sub>use</sub> | T <sub>c</sub> [K] |      |          |
|--------------------|---------------------|------|-----------------------|--------------------|------|----------|
| HB UFO LED 100W-NW | <b>31405</b>        | 100  | 10000                 | 8500               | 4000 | czarny F |
| HB UFO LED 150W-NW | <b>31406</b>        | 150  | 15000                 | 12600              | 4000 | czarny F |
| HB UFO LED 200W-NW | <b>31407</b>        | 200  | 20000                 | 17000              | 4000 | czarny F |

- Materiał obudowy: stop aluminium
- Materiał szyby ochronnej: szkło hartowane



## HB UFO LED

---

### Oprawa LED high bay



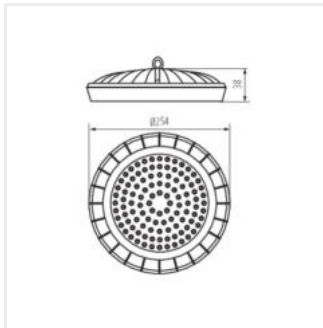
HB UFO LED 100W-NW



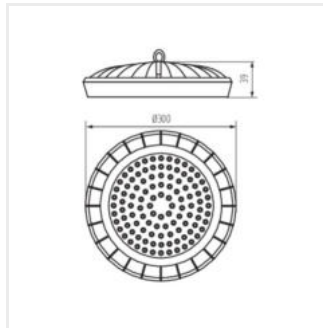
HB UFO LED 150W-NW



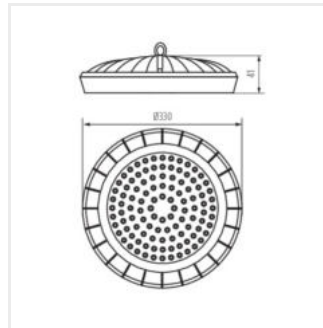
HB UFO LED 200W-NW



HB UFO LED 100W-NW



HB UFO LED 150W-NW



HB UFO LED 200W-NW