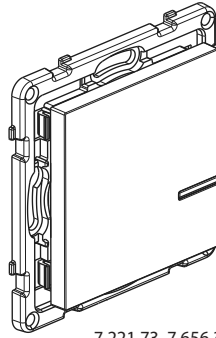


**SUNO™ - SEANO™**  
**Connected 1-gang ON/OFF wireless control**  
**for lighting and sockets**

**Cat. No(s): 7 221 73 - 7 222 73 - 7 223 73 - 7 224 73**  
**7 656 33 - 7 657 33 - 7 658 33 - 7 659 33**



7 221 73, 7 656 33

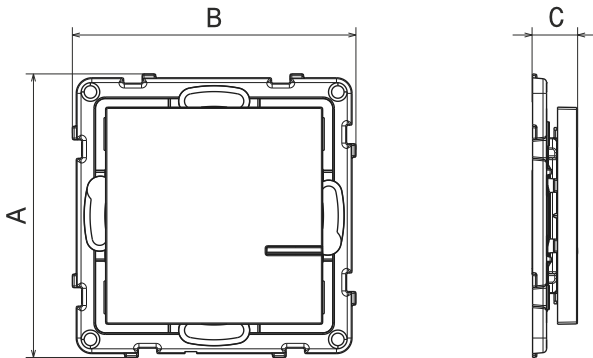
**1. USE**

Wireless control for one ON/OFF light function or connected socket.  
 Controls micromodule products, connected sockets and connected dimmer switches.  
 Can be used as a two-way switch or to control a lighting group.  
 -Fixes directly on the wall or screws onto a flush-mounting box.  
 -Multi-gang versions can be combined with other wiring accessories.  
 Fits on a piece of furniture (movable).  
 Can be combined with 20 connected switches with dimming option or connected sockets.

**2. RANGE**

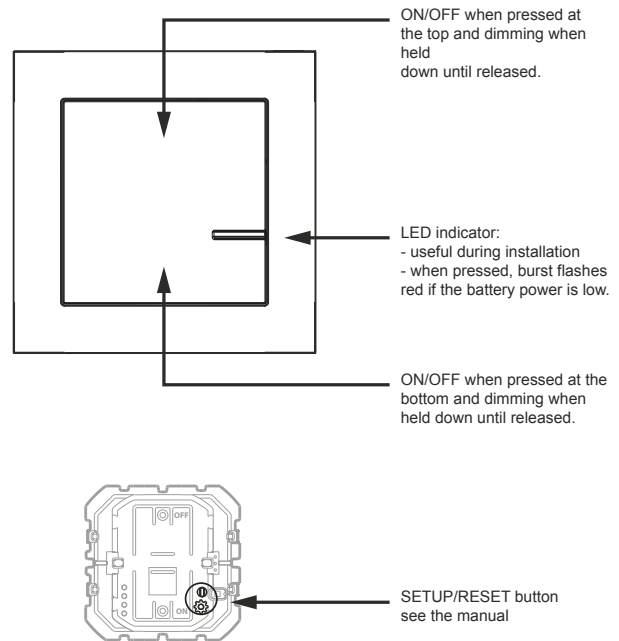
Description	Family	White	Ivory	Aluminum	Black	Dark Grey
Wireless remote switch 2-ways ON/OFF	SUNO	7 221 73	7 222 73	7 223 73	7 224 73	-
	SEANO	7 656 33	-	7 657 33	7 658 33	7 659 33

**3. DIMENSIONS (mm)**



References	A	B	C
7 221 73, 7 656 33	72.9	72.9	11.5

**4. OPERATION**



## Connected 1-gang ON/OFF wireless control for lighting and sockets

### 5. TECHNICAL CHARACTERISTICS

#### ■ 5.1 Mechanical characteristics

Protection against impacts: IK 02  
Protection against solid bodies/liquids:  
- IP 20 without plate and rocker plate  
- IP 40 for assembled product

#### ■ 5.2 Material characteristics

Plate: ABS  
Sub-plate: PC  
Rocker plate: ABS  
Colours: White RAL 9003 - Ivory RAL 1013  
Aluminium, Black, Dark Grey  
Mechanism casing with support: Fibreglass-reinforced (10 %) PC  
Halogen-free  
UV resistant

Self-extinguishing: 650°C/30 s

#### ■ 5.3 Electrical characteristics

Powered by a CR2032 - 3 V lithium battery (supplied)  
Battery life: 8 years for 10 activations a day  
ZigBee radio technology frequency: 2.4 GHz to 2.4835 GHz  
Power level: < 100 mW  
Wireless mesh network, self-adaptive and secure (AES 128), conforming to standard IEEE 802.15.4 (LR-WPAN)

#### ■ 5.4 Climatic characteristics

Usage temperature: + 5° C to + 45° C  
Storage temperature: 0° C to + 45° C

### 6. MAINTENANCE

Clean the surface with a cloth.  
Do not use acetone, tar-removing cleaning agents or trichloroethylene.  
Resistant to the following products: Hexane (EN 60669-1), methylated spirit, soapy water, diluted ammonia, bleach diluted to 10%, window-cleaning products, pre-impregnated wipes.

**Caution:** Always test before using other special cleaning products.

Do not paint the cover plate!



Take care to recycle the battery appropriately.

### 7. ACCESSORIES

0 648 71: Repositionable adhesive for wireless control (x 4 supplied)

### 8. STANDARDS AND APPROVALS

Compliant with installation and manufacturing standards.  
See e-catalogue.  
The undersigned, LEGRAND, declares that the radio-electric equipment type (Cat. Nos 7 221 73 - 7 222 73 7 223 73 - 7 224 73 - 7 656 33 - 7 657 33 - 7 658 33 - 7 659 33) complies with directive 2014/53/EU. The full text of the EU declaration of conformity is available on the following website: [www.legrand.com/ecatalogue](http://www.legrand.com/ecatalogue)