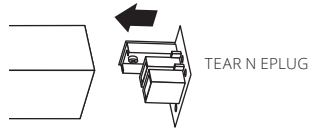




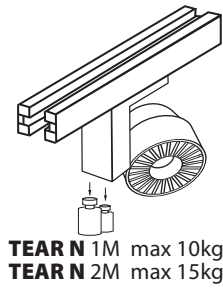
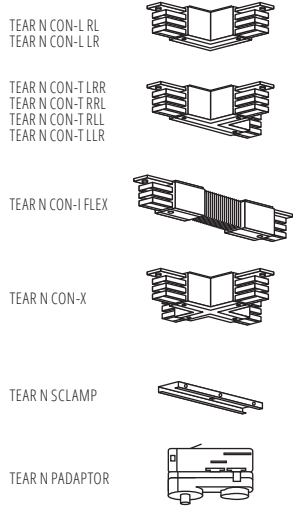
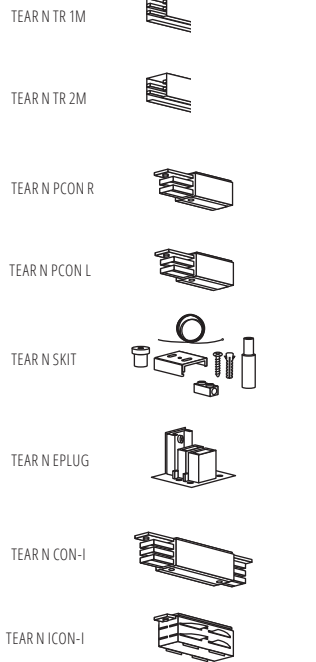




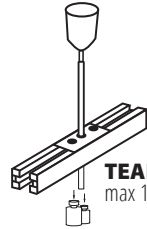
**TEAR**  
system



TEAR N EPLUG



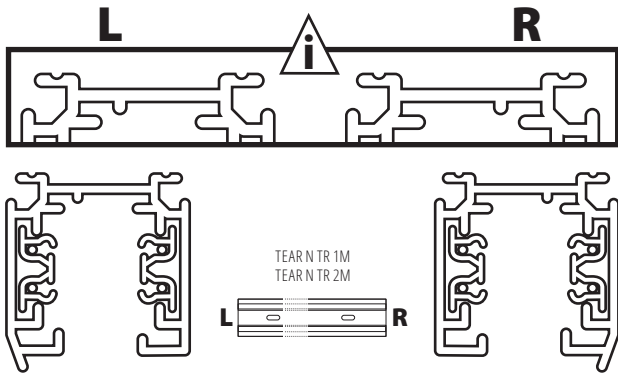
**TEAR N 1M** max 10kg  
**TEAR N 2M** max 15kg



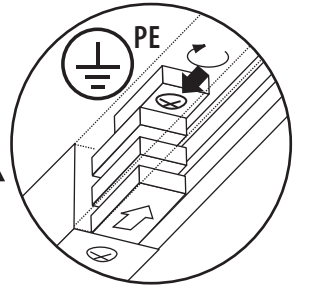
**TEAR N SKIT**  
max 10kg



**TEAR N SCLAMP**  
max 10kg



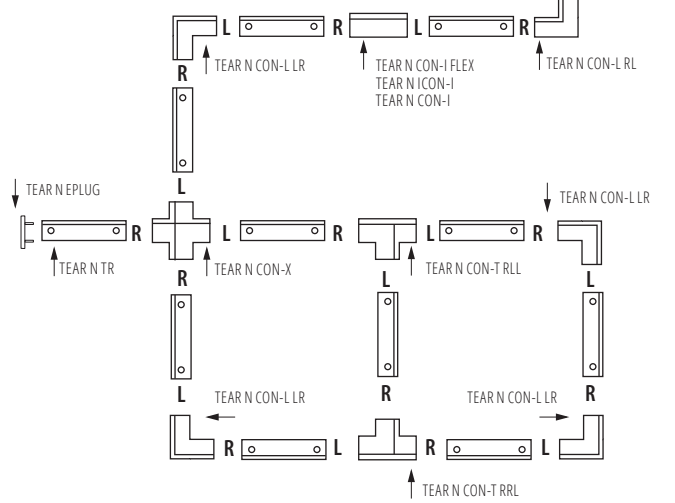
**TEAR**  
system



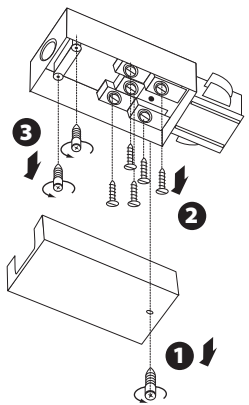
220-240V~  
50Hz

TEAR N TR 1M  
TEAR N TR 2M

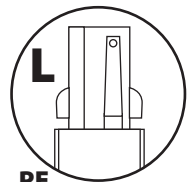
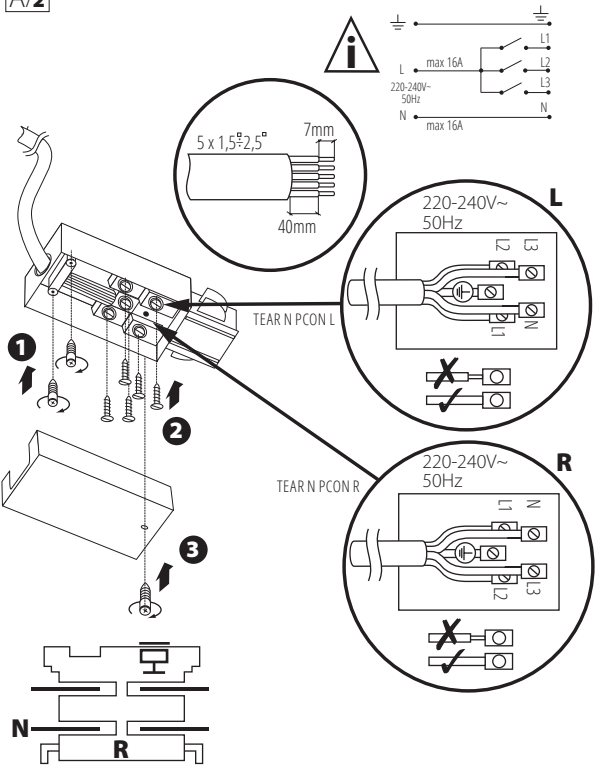
TEAR N PCON R



**A/1**



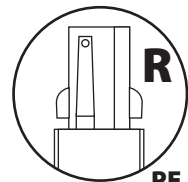
**A/2**



PE

L2 L1

L3 N

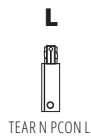


PE

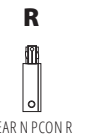
L1 L2

N L3

**N** — color BLUE



TEAR N PCON L



TEAR N PCON R



TEAR N CON-I-FLEX



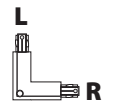
TEAR N CON-I



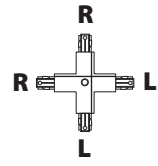
TEAR N ICON-I



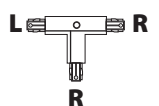
TEAR N CON-L-RL



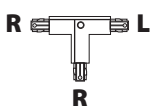
TEAR N CON-L-LR



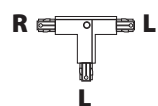
TEAR N CON-X



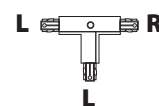
TEAR N CON-T-LRR



TEAR N CON-T-RRL

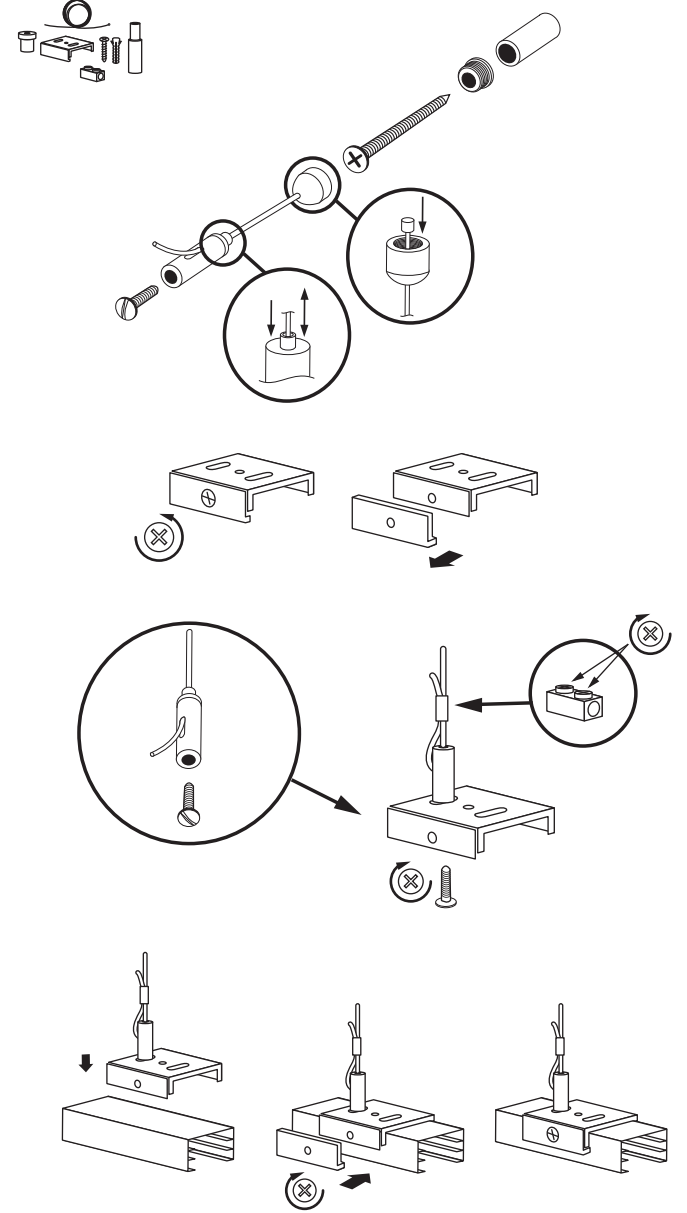


TEAR N CON-T-RL

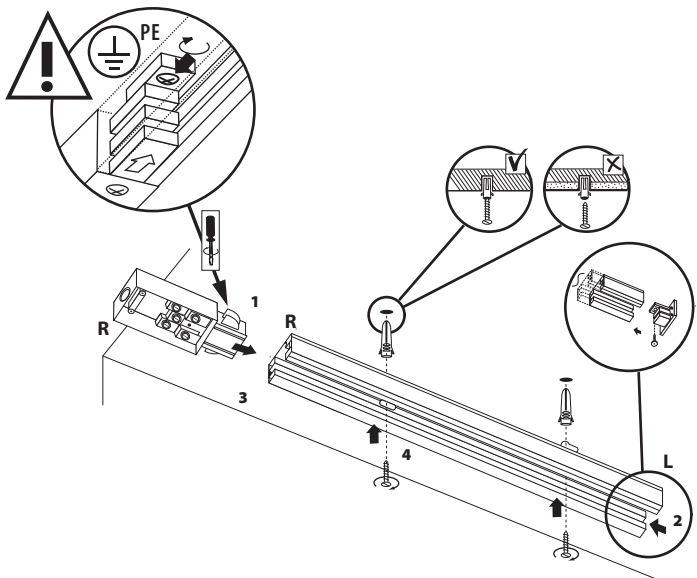
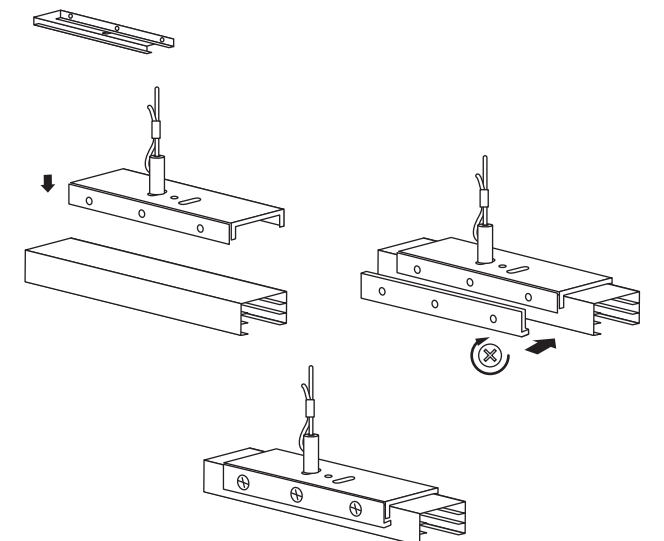


TEAR N CON-T-LLR

**TEAR N SKIT**

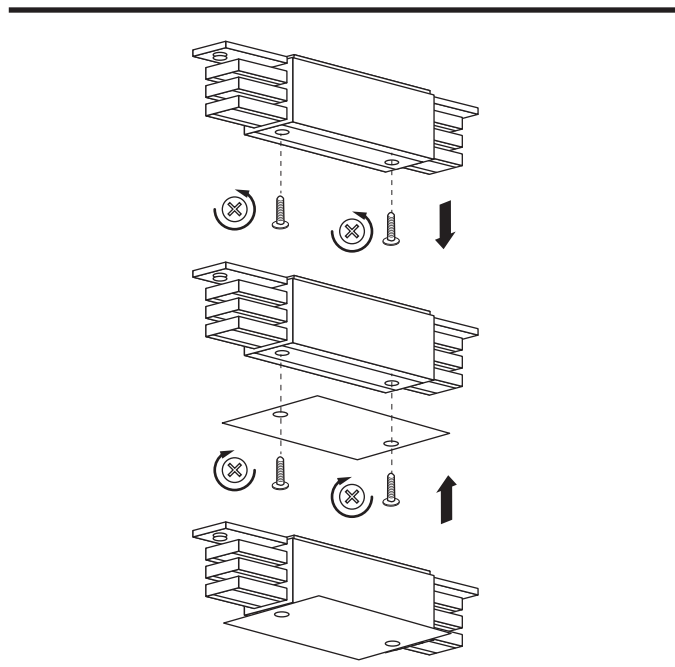
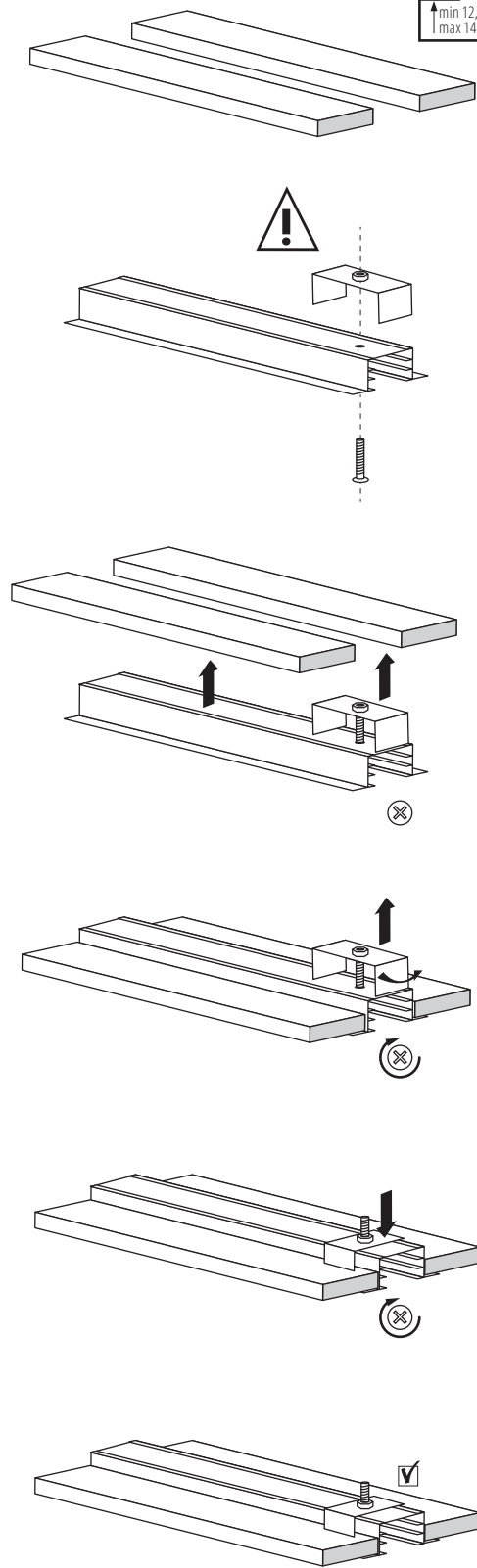
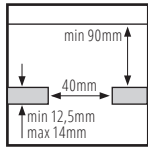
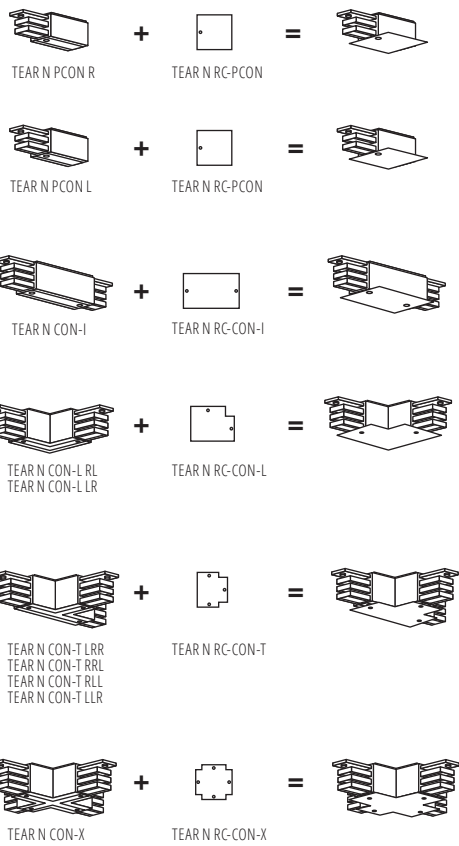
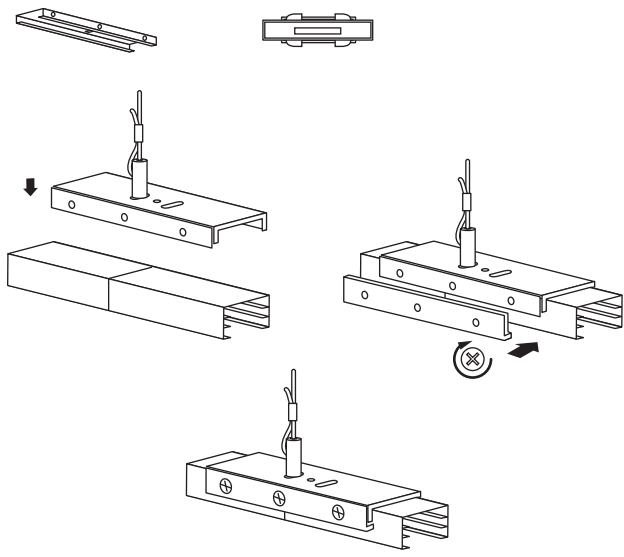


**TEAR N SCLAMP + TEAR N SKIT**

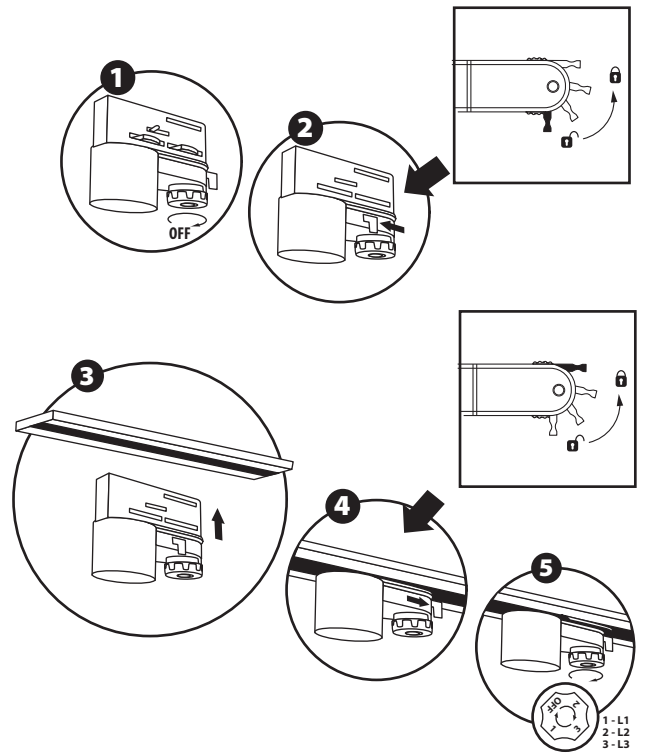
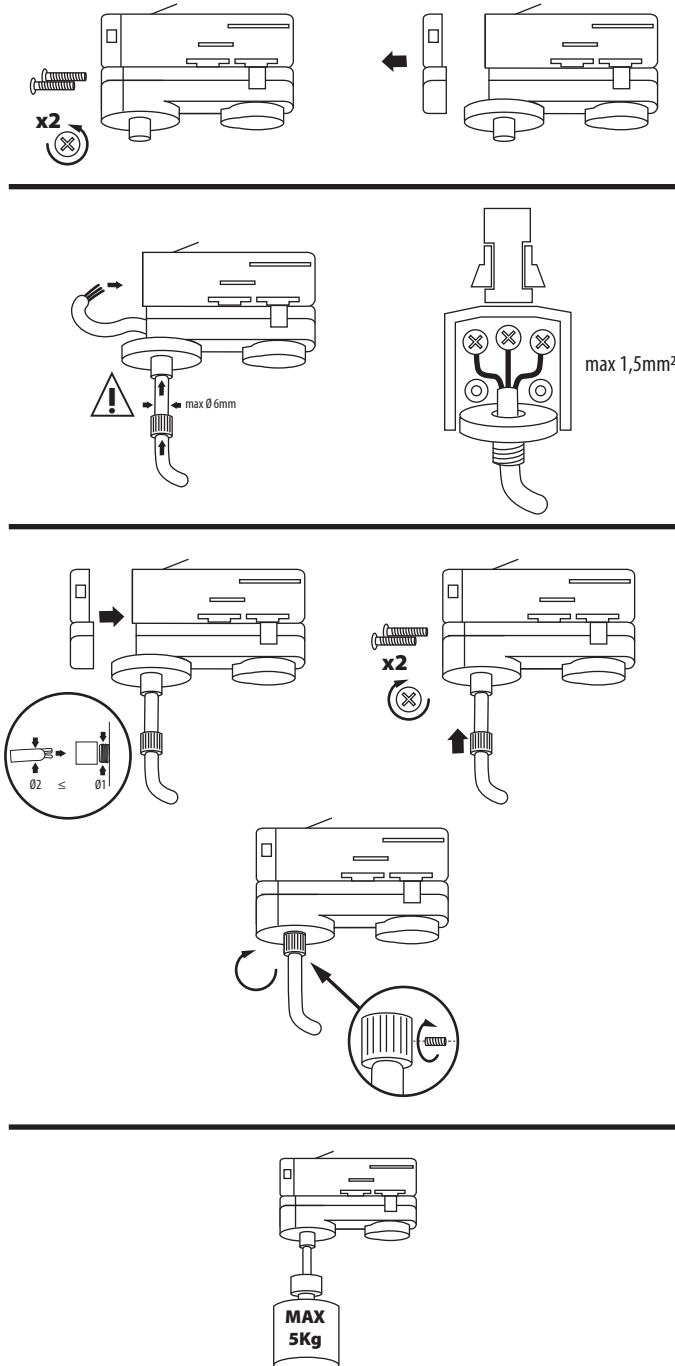




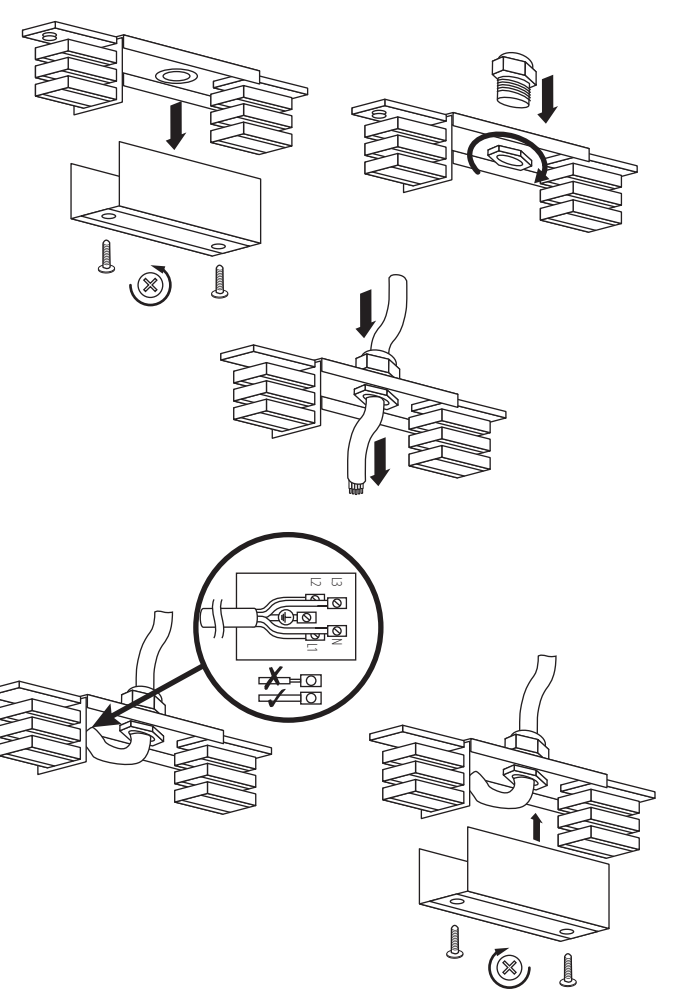
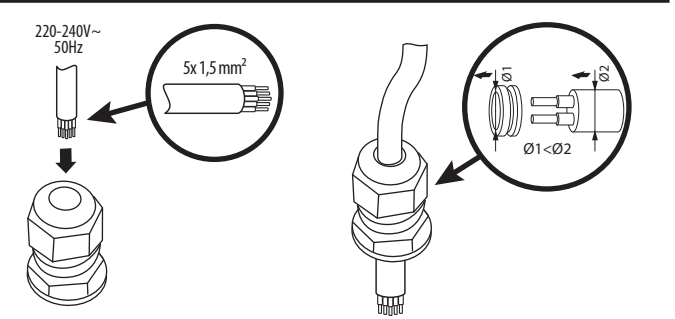
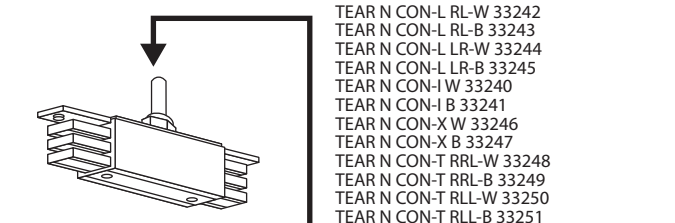
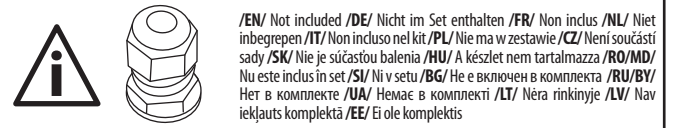
**TEAR N SCLAMP + TEAR N ICON + TEAR N SKIT**



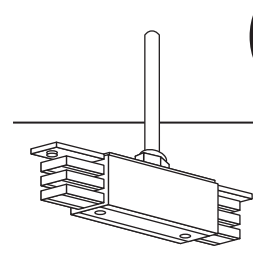
**TEAR N ADAPTOR**



**TEAR N SUSPENSION SKIT**



**OPTION 1**



**OPTION 2**

