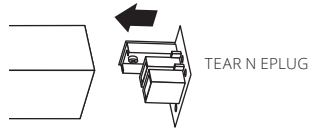
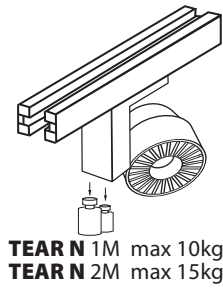
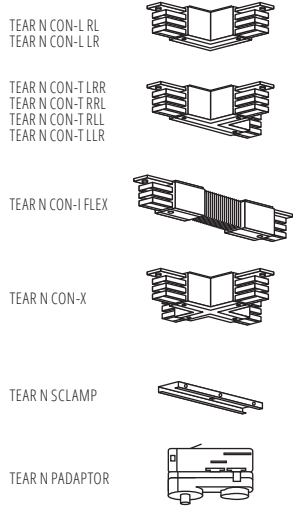
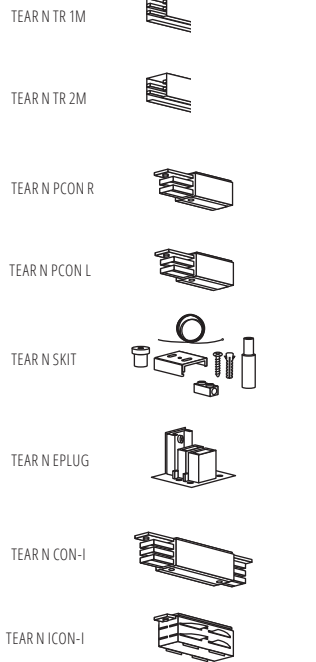


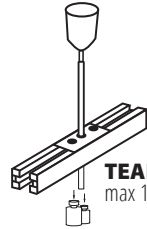
TEAR
system



TEAR N EPLUG



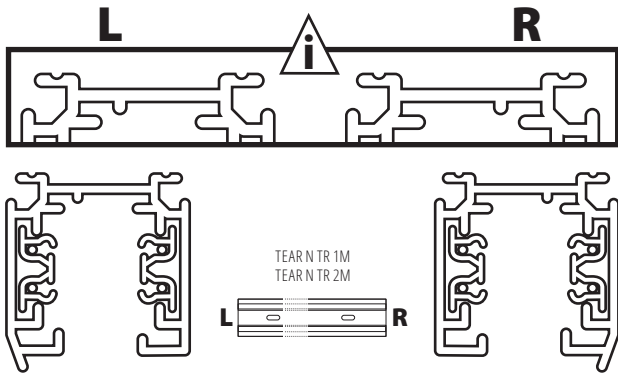
TEAR N 1M max 10kg
TEAR N 2M max 15kg



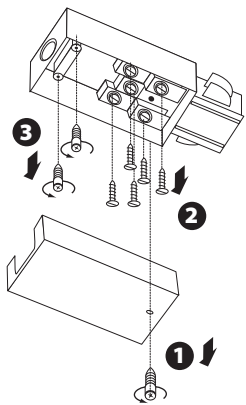
TEAR N SKIT
max 10kg



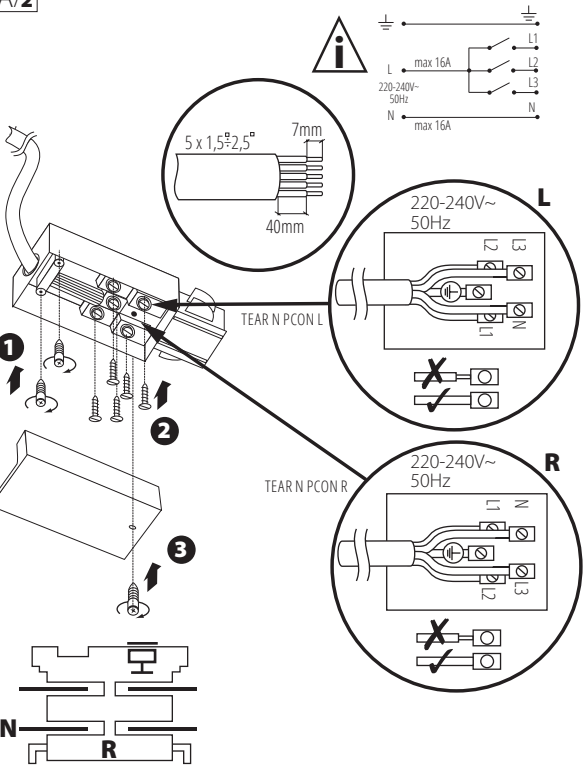
TEAR N SCLAMP
max 10kg



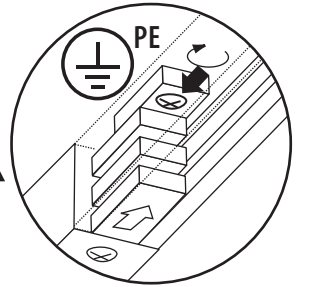
A/1



A/2



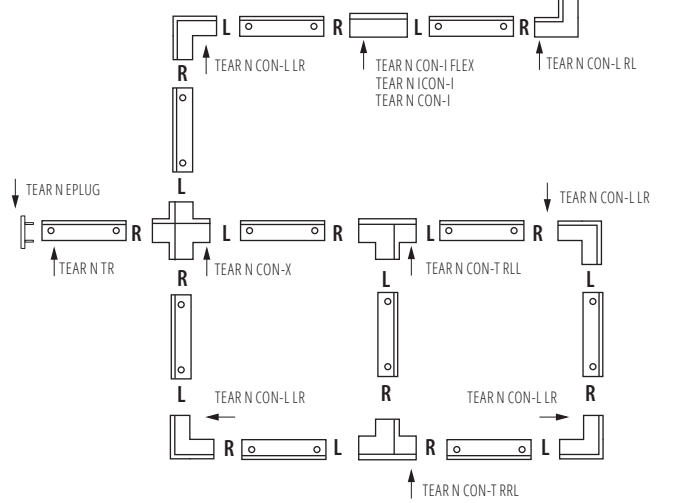
TEAR
system



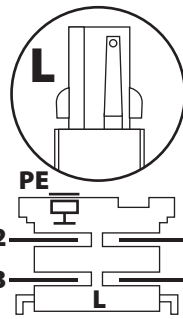
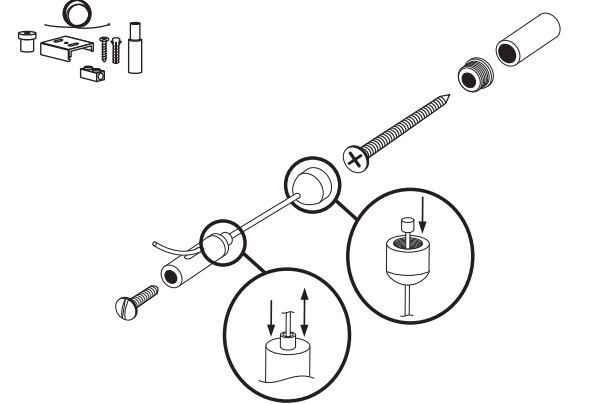
220-240V~
50Hz

TEAR N TR 1M
TEAR N TR 2M

TEAR N PCON R



TEAR N SKIT



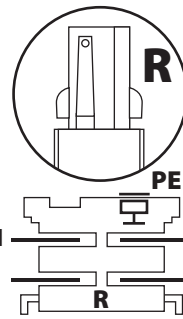
PE

L2

L3

L1

L



PE

L1

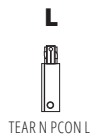
N

L2

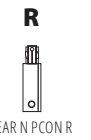
L3

R

N — color BLUE



TEAR N PCON L



TEAR N PCON R



TEAR N CON-I-FLEX



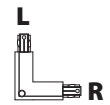
TEAR N CON-I



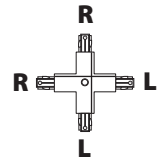
TEAR N ICON-I



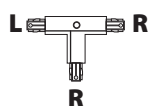
TEAR N CON-L-RL



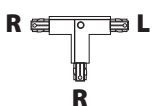
TEAR N CON-L-LR



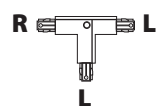
TEAR N CON-X



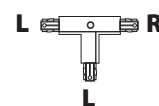
TEAR N CON-T-LRR



TEAR N CON-T-RRL

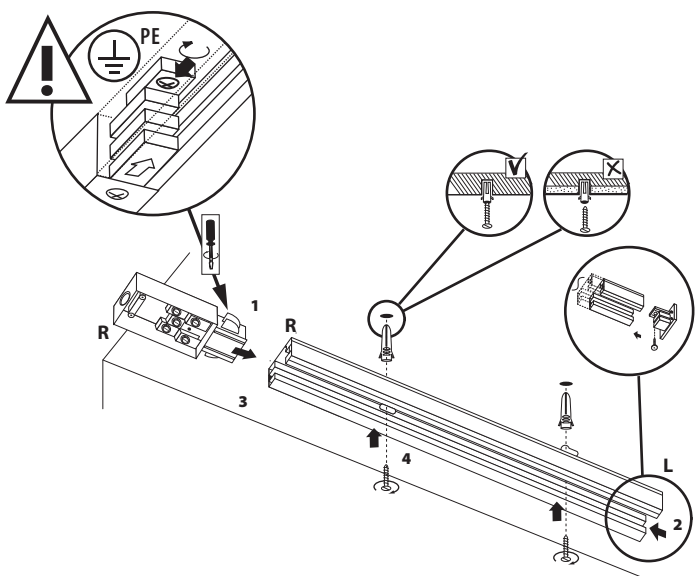
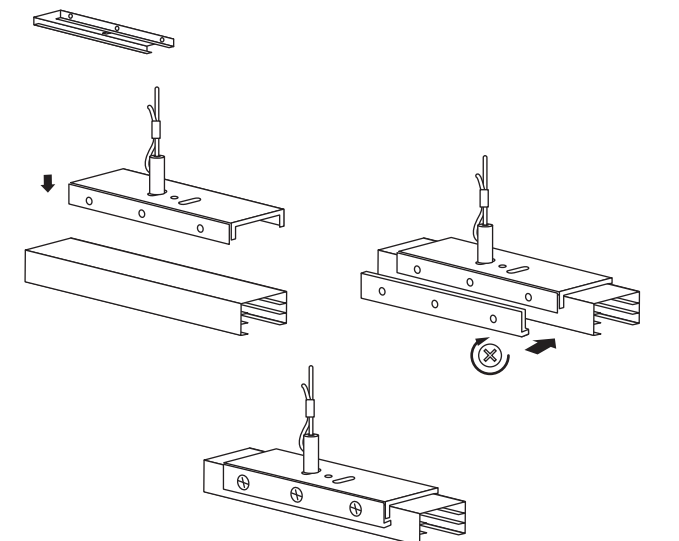


TEAR N CON-T-RLL

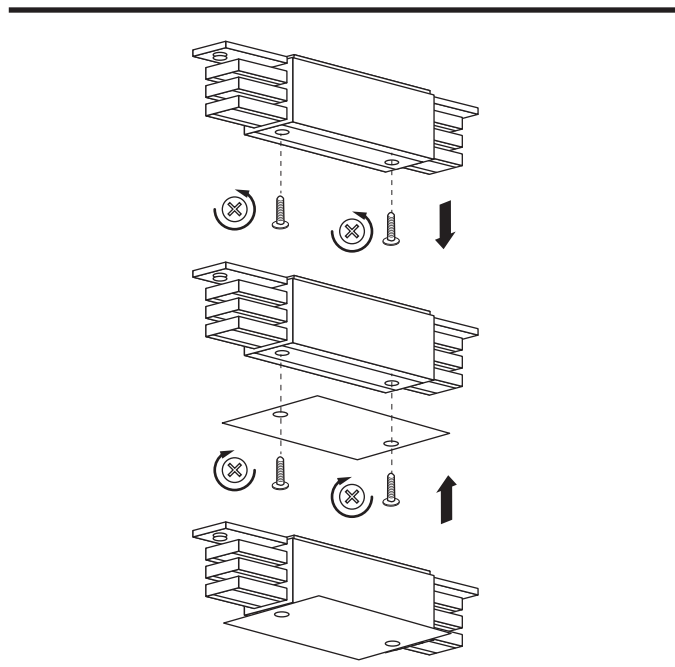
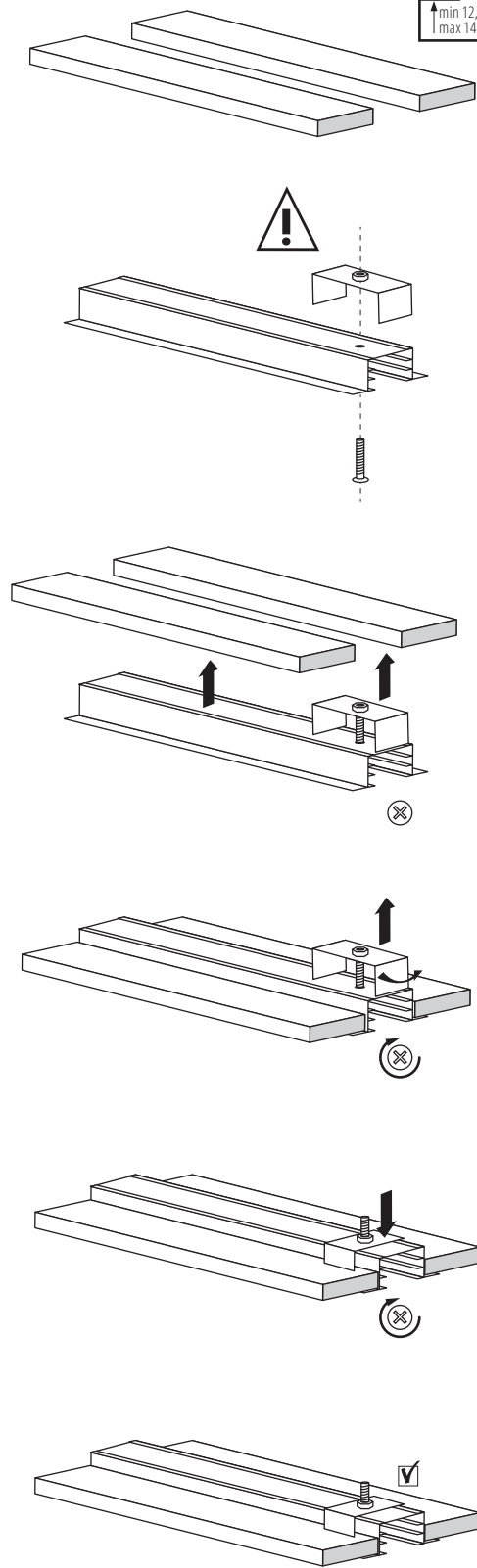
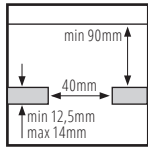
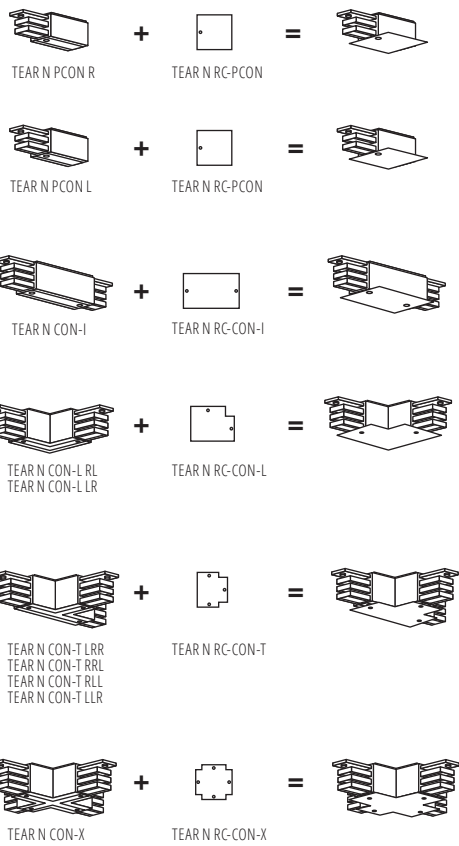
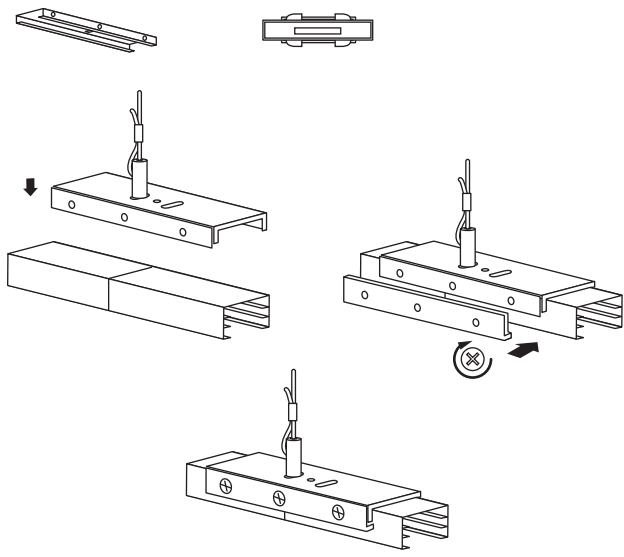


TEAR N CON-T-LLR

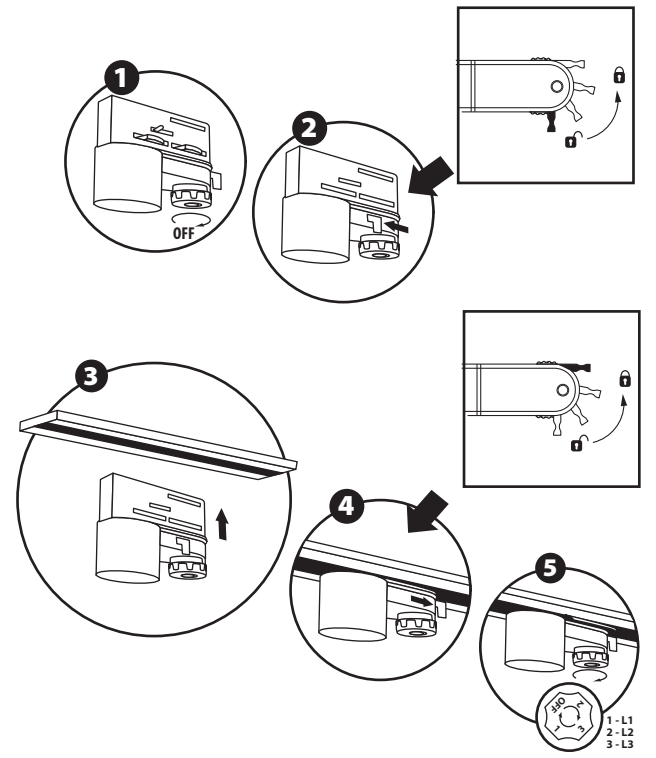
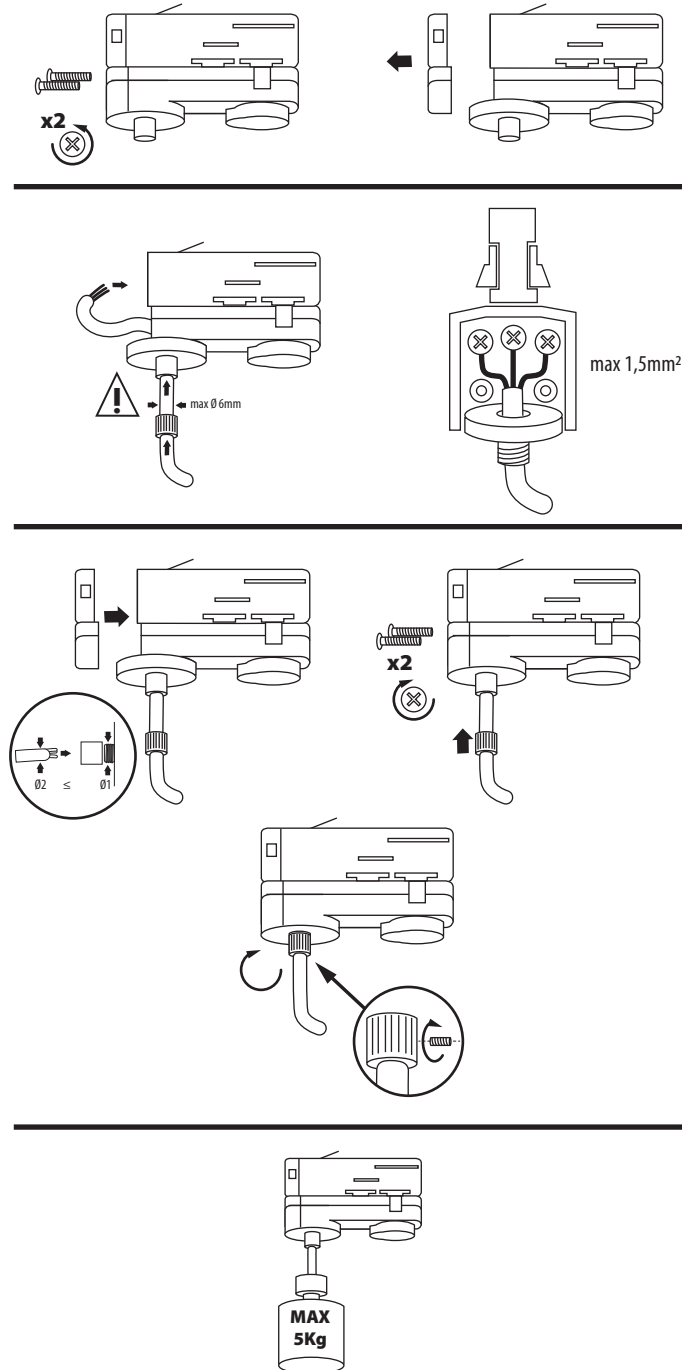
TEAR N SCLAMP + TEAR N SKIT



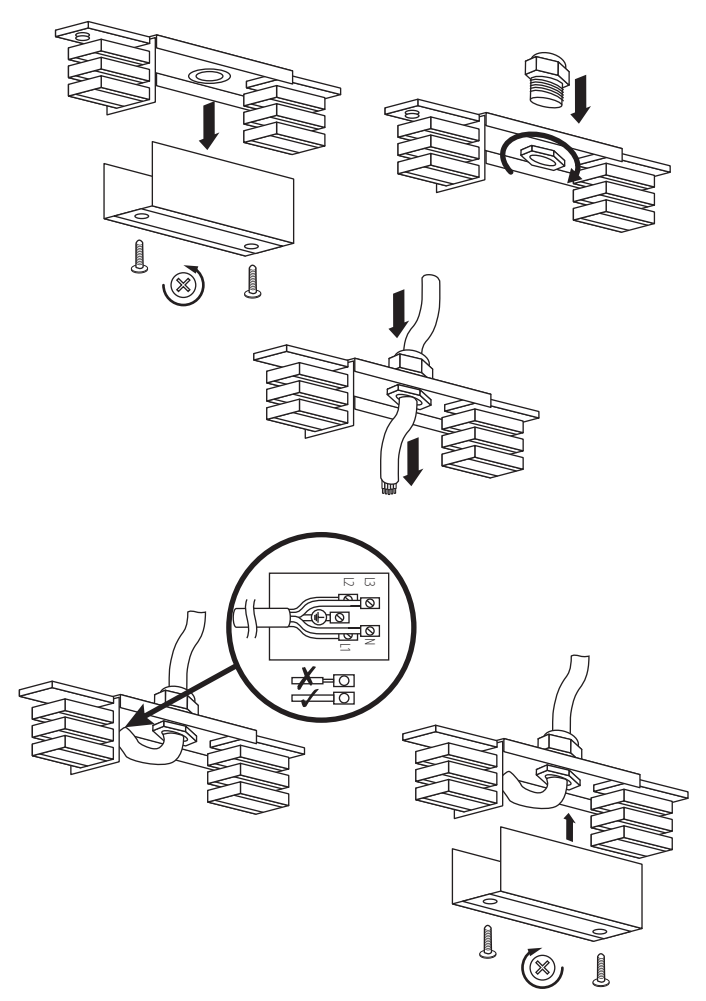
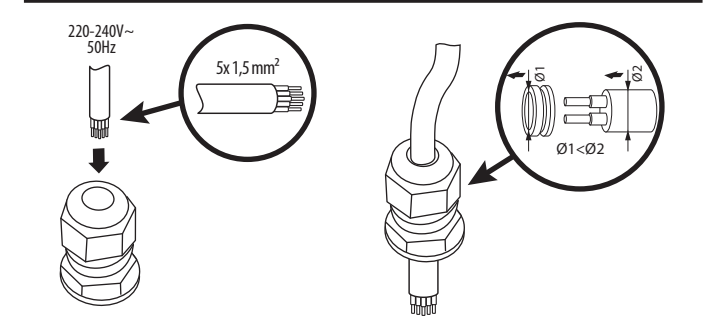
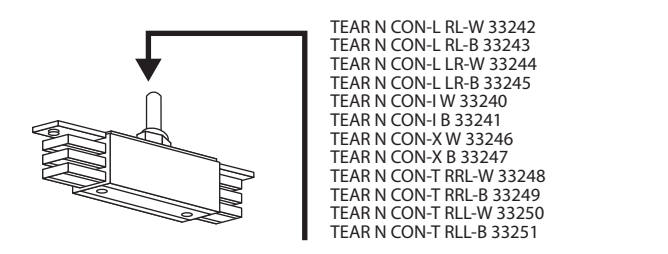
TEAR N SCLAMP + TEAR N ICON + TEAR N SKIT



TEAR N ADAPTOR



TEAR N SUSPENSION SKIT



OPTION 1



OPTION 2

